

UCL CANOPY LIGHTING



Features

- Modular design for flexibility and upgrade to meet changing lighting codes.
- Die cast construction for long-term durability and cooling. Complete UCL and Canopy Gasketing with two 1/2" threaded conduit holes for thru-wiring.
- Tool-free, positive optical latching for reliable sealing and easy on-ground relamping with standard changers.
- Adjustable reflectors standard with 8 lamp shielding combinations, and easy optical assembly replacement from below.
- Optical assemblies provided below canopy installation capability and tool-free hinged ballast cover.
- Mogul base ED-28 lamp included with pulse rated porcelain sockets.
- CWA type HPF ballast, starting rated at -20°.
- TGIC thermoset polyester powder paint (white is standard).

Ordering Information

Example: UCL - 2 - 320 - P - 8

Series Optics Lamp/Wattage Ballast Volts

Series	Lamp Type/Wattage	Voltage
UCL Under Canopy Luminaire	100 100W (ED-28)	5 480V
Optical Package Digit left blank when ordering UCO1 Non-cutoff high verticals	150 150W (ED-28)	6 120/277/347V ¹
	175 175W (ED-28)	8 120/208/240/277V ¹
	250 250W (ED-28)	E 220/240V 50 Hz ¹
	320 320W (ED-28)	Options BZ Bronze powder paint B Black powder paint
	350 350W (ED-28)	
400 400W (ED-28)		
Ballast Type		
P	Pulse Start Metal Halide	
H	CWA Metal Halide or HX-HPF Metal Halide	

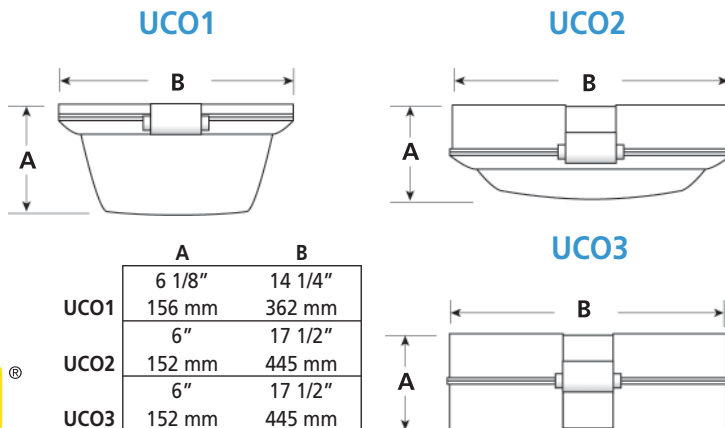
¹ Factory wired for highest voltage unless specified.

Note Due to our ongoing improvement program, specifications and design are subject to change without notice. Patents D444,903; 6,394,628; 6,354,717; 6,332,695; Other patents pending.

Accessories - Order Separately

Catalog Number	Description
UCK-1	Two Support Rails for weak canopies or below installations in roofed, double deck canopies
UCL-HS	Internal House-side Shield for UCO1 optic: order 1 each for 190° or 2 each for 290° or 360° shielding
UCL-LC	ED-28 Lamp Changer with three 5-foot pole sections
UCO1	White Replacement Optical Assembly (add BZ for bronze or B for black) - Non-cutoff
UCO2	White Replacement Optical Assembly (add BZ for bronze or B for black) - Cutoff
UCO3	White Replacement Optical Assembly (add BZ for bronze or B for black) - Full-cutoff
UCL-template	Order one free installation template per standard canopy job (Non-UCT retrofit installations)

Dimensions



UCB Ballast Unit

Ballast Unit Specs
14" x 7.5" x 5"



Star View.
compliant

