

# CEILING RECESSED

SQUARE-LUX SERIES

Cat. #		Approvals
Job	Type	



### APPLICATIONS

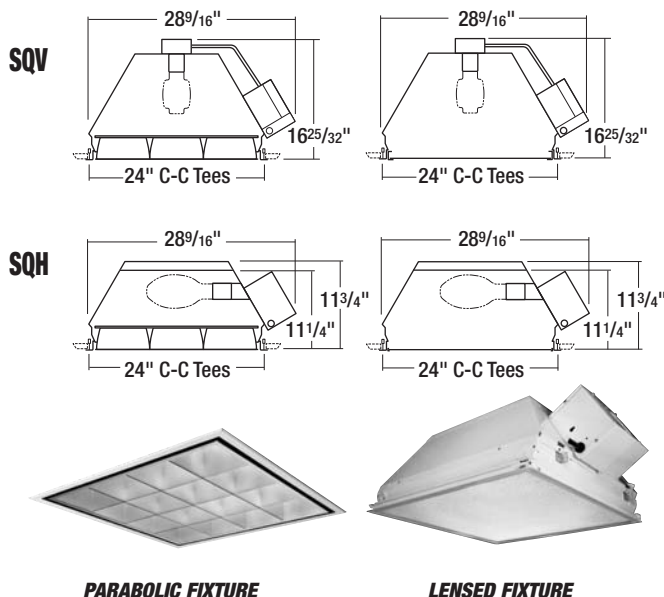
- Auto showrooms, parking garages, drive-through canopies, offices, lobbies, restaurants, and retail stores.

### SPECIFICATIONS

- Formed steel door with flat, C73 glass lens, hinged and secured with two thumb latches. Options include aluminum door, clear, flat polycarbonate with prismatic glass lens overlay; drop acrylic diffuser; or drop polycarbonate diffuser. Optional for grid mount only: 2" regress baffle, parabolic louvers of 4, 9, or 16 cell. Louvers include flat, diffusing glass lens.
- Square, formed steel housing for interior finished ceiling only. Grid mount for 2' x 2' T-grid, max. 1" tee width, max. 1 1/2" tee height. Flange mount for non-accessible ceiling provided with trim flange, and mounting brackets adjustable 1" to 2 7/8". Formed steel ballast enclosure mounted to housing, accessible through lamp compartment. Thermal protector included.
- High reflectance white internal reflector evenly distributes lamp lumens to lens.
- Mogul porcelain socket, pulse rated, with spring-loaded, nickel-plated center contact and reinforced lamp grip screw shell. CWA type ballast, HPF, starting rated at -20°F (-40°F for HPS).
- White powder paint finish.

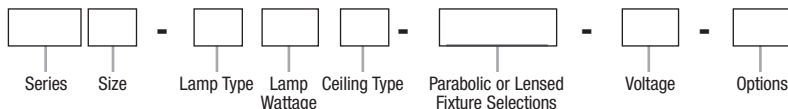
### LISTINGS

- UL 1598 listed for damp locations.



## ORDERING INFORMATION

ORDERING EXAMPLE: SQV22-P400G-LD33-S-120-QR



### SERIES

<b>SQH</b>	Square-Lux Horizontal Lamp
<b>SQV</b>	Square-Lux Vertical Lamp

### SIZE

<b>22</b>	2' x 2'
-----------	---------

### LAMP TYPE

<b>P</b>	Pulse Start Metal Halide
----------	--------------------------

### LAMP WATTAGE

<b>250</b>	250 watt
<b>320</b>	320 watt
<b>400</b>	400 watt

### CEILING TYPE

<b>G</b>	Grid
<b>F</b>	Flanged

### PARABOLIC FIXTURE SELECTIONS

LOUVER FINISH	
<b>LD</b>	Low Iridescent Semi Specular
<b>LS</b>	Low Iridescent Specular Aluminum
PARABOLIC	
<b>-33</b>	9 cell
<b>-44</b>	16 cell
AIR FUNCTIONS PARABOLIC	
<b>S</b>	Static
<b>A</b>	Air Handling
AIR CONTROL PARABOLIC	
<b>BLANK</b>	None
<b>V</b>	Supply

### LENSED FIXTURE SELECTIONS

LENSED DOOR	
<b>FS</b>	Flush Steel
<b>FA</b>	Flush Aluminum
<b>RA</b>	Regressed Aluminum
LENS	
<b>-TG73</b>	Tempered Glass Pattern
<b>-CTGY12</b>	Clear Tempered Glass w/ A12 Underlay
<b>-DP<sup>1</sup></b>	Tempered Glass Pattern

### ALL UNITS

VOLTAGE	
<b>120</b>	120 volt
<b>277</b>	277 volt
<b>347</b>	347 volt
<b>480</b>	480 volt
<b>QT<sup>2</sup></b>	Quad-Tap <sup>®</sup> (120/208/240/277V)
OPTIONS	
<b>QR</b>	Quartz Restrike
<b>GLR<sup>2</sup></b>	Fast Blow Fuse
<b>G2</b>	Double Gasketing

<sup>1</sup> FS doors only.

<sup>2</sup> If Quad-Tap fixture, specify fuse voltage.

NOTE: Units are single socket mogul base.

NOTE: Lamps are not included.

NOTE: ED28 lamp must be used on SQV units.

## PHOTOMETRIC REPORTS

Catalog Number	Report #
SQ-MS25-HL-DP (P250)	<b>L4434SQ</b>
SQ-MS25-HL-9P (P250)	<b>L4435SQ</b>
SQ-MS40-HL-TG73 (P400)	<b>L4052SQ</b>
SQ-H40-VL-TG73 (P400)	<b>L4049SQ</b>

Due to our continued efforts to improve our products, product specifications are subject to change without notice.



Outdoor Lighting

Hubbell Outdoor Lighting • 701 Millennium Boulevard • Greenville, SC 29607 • PHONE: 864-678-1000  
For more information visit our web site: [www.hubbell-ltg.com](http://www.hubbell-ltg.com)