

RM SERIES

EXPANDED CAPABILITIES

Cat. #		Approvals
Job	Type	



INTENDED USE

Luminaires are designed to illuminate roadways, parking and other area lighting applications.

CONSTRUCTION

Housing and doors are die-cast aluminum and provided with protective powder paint finishes. Fixtures are a two door design allowing independent access to either optical or electrical compartments. Options allow either a UL or non-UL construction on most units.

OPTICS

Units are available in Type II and Type III distributions except as noted. Drop refractor units are Semi-cutoff while flat glass versions are full cutoff. Units can be field adjusted to other distributions from the factory set position should a job site correction be determined.

LENS

A choice of lens is available: Drop acrylic for use up through 150w; borosilicate glass refractor for all wattages and flat tempered, impact resistant glass. Units can be provided with a felt lens/reflector seal or with silicone gasket including a charcoal filter breather.

ELECTRICAL

The RM unit has a ballast range from 70 to 250w. See ordering information for possible selections. Systems include pulse start metal halide, CWA HPS and Mag Reg HPS. Wattage/voltage combinations vary so refer to the ordering information for proper selection. Ballasts are all HPF and include tool-free removable starting aids.

INSTALLATION

RM units have a twin clamping design with center fulcrum to provide + or - 5 degree leveling capability and four bolt tightening for a secure fit over 2-3/8" or 1-5/8" OD arms or horizontal tenon. A bird shield is standard that fits both size arms. The choice of a door mounted ballast offers several features. The door can be removed reducing the weight of the fixture housing assembly easing installation or the door can be removed at service to allow electrical replacement on the ground.

LISTINGS

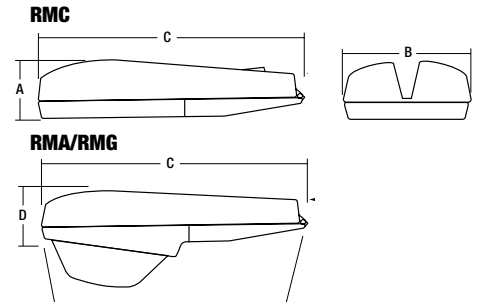
A choice of independent certification to UL1598 and CSA is available if desired.

WARRANTY

Luminaires carry a one year limited warranty from date of shipment.



	A	B	C	D
RMC	6 1/2"	13"	29 3/4"	-
full cut-off	165 mm	330 mm	756 mm	-
RMA/RMG	-	13"	29 3/4"	10 3/4"
	-	330 mm	756 mm	273 mm

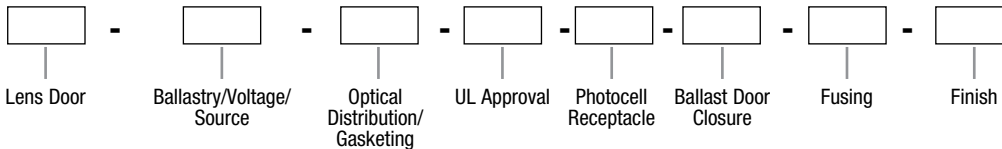


12" Minimum (305mm) distance for door removal (cut-off & refractor unit)



ORDERING INFORMATION

ORDERING EXAMPLE: RMA7-07S25-021-0-A-5-F0-M51



LENS DOOR

- RMAT³** Acrylic Refractor - top mounted ballast
- RMGT** Glass Refractor - top mounted ballast
- RMAD⁴** Acrylic Refractor - door mounted ballast
- RMGD** Glass Refractor - door mounted ballast
- RMCD** Cut-off door mounted ballast

BALLASTRY/VOLTAGE/SOURCE⁵

- PULSE START**
- 15P28** 150w PSMH, Quad-Tap[®]
 - 25P35** 250w PSMH, 480V
 - 25P38** 250w PSMH, Quad-Tap[®]
- HPS**
- 07S25** 70w AL HPS, 480V
 - 07S28** 70w AL HPS, Quad-Tap[®]
 - 10S25** 100w AL HPS, 480V
 - 10S28** 100w AL HPS, Quad-Tap[®]
 - 15S25** 150w AL HPS, 480V
 - 15S28** 150w AL HPS, Quad-Tap[®]
 - 20S35¹** 200w AL HPS, 480V
 - 20S38¹** 200w AL HPS, Quad-Tap[®]
 - 25S35¹** 250w AL HPS, 480V
 - 25S38¹** 250w AL HPS, Quad-Tap[®]
- MAG REG HPS**
- 07S7M** 70w MR 120, 240, 277, 480V HPS
 - 10S7M** 100w MR 120, 240, 277, 480V HPS
 - 15S7M** 150w MR 120, 240, 277, 480V HPS

OPTICAL DISTRIBUTION/GASKETING

- 021⁴** MC II Felt (cutoff only)
- 022⁴** MC II Silicone/CFB (cutoff only)
- 031** MC III Felt (cutoff only)
- 032** MC III Silicone/CFB (cutoff only)
- 061⁴** MS II Felt
- 062⁴** MS II Silicone/CFB
- 071** MS III Felt
- 072** MS III Silicone/CFB

PHOTOCELL RECEPTACLE

- A⁶** PCR 240V
- 2⁶** None
- 3^{7,8}** With PCR

BALLAST DOOR CLOSURE

- 5** Screw and Latch
- 6** Screw only

FUSING

- F0** None
- F1** 120V
- F2** 208V
- F3** 240V
- F4** 277V
- F5** 480V

FINISH

- M51** Bronze
- M53** Gray

1 Must use glass enclosure (refractor or cutoff). Limited to optical distributions 071, 071, 031, or 032 only
 2 UL listed to 150W maximum
 3 150W maximum
 4 Not available in 200W or 250W - only Type III is possible
 5 50 Hz ballastry available, consult factory
 6 200W and 250W HPS UL not available
 7 PCR wired to highest voltage tap of ballast, i.e.: Quad-Tap at 277V. PCR will accept 120 through 480V
 8 PTL photocontrol or PSC shorting cap ordered separately

NOTE: Ballastry Legend - PSMH = Pulse Start Metal Halide; AR = Auto Reg (CWA); AL = Auto LAG (RX-HPF) HPS, MR = Mag Reg HPS; All units have Mogul base sockets

Due to our continued efforts to improve our products, product specifications are subject to change without notice.



Hubbell Outdoor Lighting • 701 Millennium Boulevard • Greenville, SC 29607 • PHONE: 864-678-1000

For more information visit our web site: www.hubbelloutdoor.com

Outdoor Lighting