

QWL SERIES

PORTABLE QUARTZ
WORK LIGHTS

Cat. #		Approvals
Job	Type	



SPECIFICATIONS

INTENDED USES:

Portable task illumination. Available in three popular styles with five foot cord sets and weathertight switch for use indoors or out. Adjustable fixture heads for aiming after mounting or positioning for task

CONSTRUCTION:

Die cast aluminum housing and door for light weight, safety yellow powder coat for lasting appearance. Protective wire guards included for each fixture housing

ELECTRICAL:

All units designed for standard 120 volt house current. QWL500S Mini-stand unit shipped with both 300 and 500 watt lamps for brightness choice and twice the life

INSTALLATION:

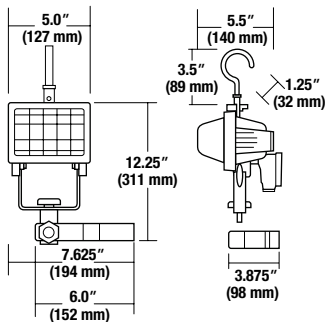
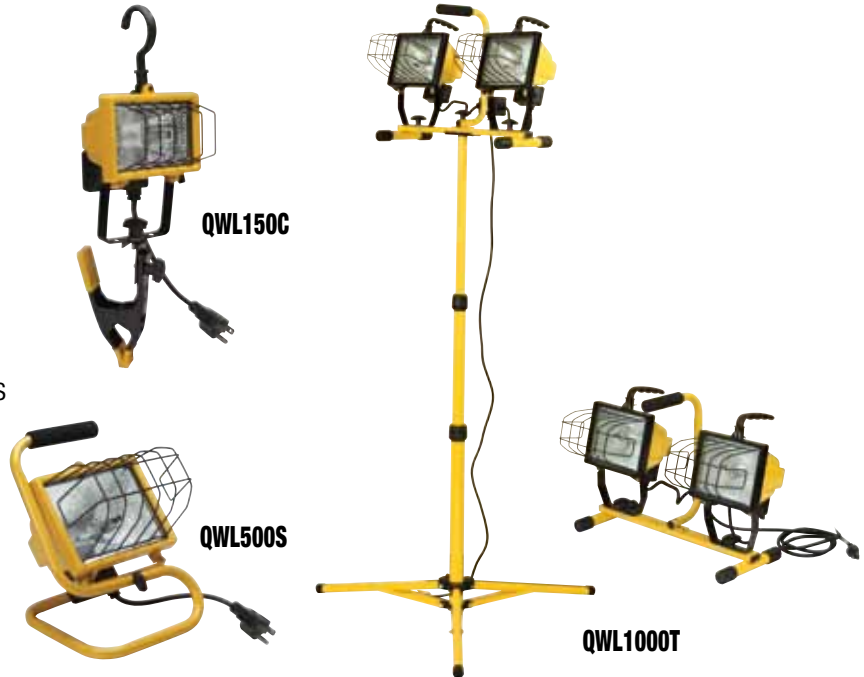
QWL150C
Clamp/Hook

QWL500S
Free standing unit

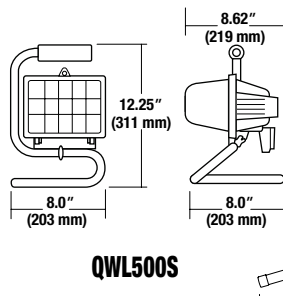
QWL100T
Tripod "2 in 1" unit adjusts from 33" to 69" height. Twin 500 watt upper assembly easily removes for table top or floor mount versatility. Rigid steel tubing with tool-free nylon twist clamps

LISTINGS:

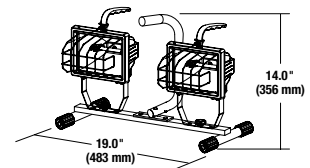
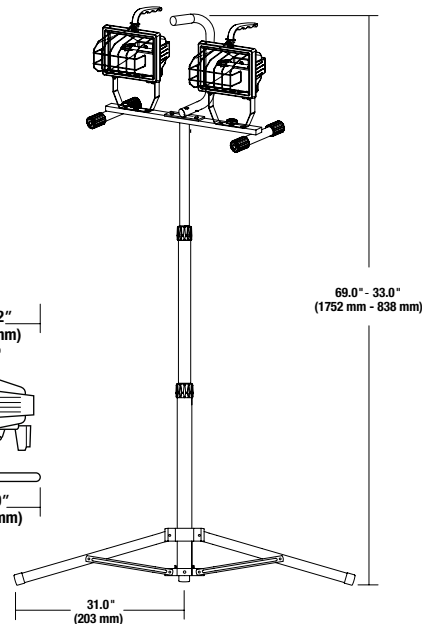
Listed to UL1598 for use in wet locations



QWL150C



QWL500S



ORDERING INFORMATION

Catalog Number	Wattage/Voltage	Mounting	Weight lbs. (kg)
QWL-150C	150w/120V	Clamp/hook	2.0 (.91)
QWL-500S	500w/120V & 300w/120V	Mini-stand	4.0 (1.8)
QWL-1000T	2x500w/120V	Tripod	27.0 (12.3)

Note Lamp(s) included (T3-RSC)

Due to our continued efforts to improve our products, product specifications are subject to change without notice.



Outdoor Lighting

Hubbell Outdoor Lighting • 701 Millennium Boulevard • Greenville, SC 29607 • PHONE: 864-678-1000

For more information visit our web site: www.hubbelloutdoor.com