

PERIMASHIELD® WALLPACK

PRS3 POLYCARBONATE SERIES

Cat. #		Approvals
Job	Type	

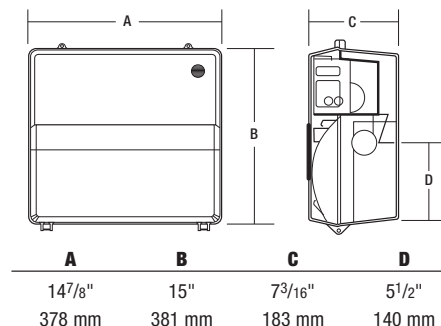


APPLICATIONS

- Ideally suited for security lighting applications as well as commercial and architectural exterior wall and area lighting for parking lots, office buildings, stores, shopping centers, fast food restaurants, banks, warehouses, and parking garages.

SPECIFICATIONS

- One-piece polycarbonate front is vandal resistant with clear optical opening and dark bronze lamp/ballast shield. Secures to housing and gasket with twin Hubbell Gard® captive fasteners.
- Die cast aluminum housing allows firm mounting over recessed junction boxes or on flat surfaces for 1/2" surface conduct. Casting dissipates ballast heat for long life. Side hub supplied for field installation of button photocontrol (PBT series), ordered separately.
- Specular hammertone main reflector spreads beam and punches forward. Horizontal lamp is tucked behind metal shield. Adjustment to socket allows additional beam control.
- Available in 70-150 watt HPS and 70-175 watt MH. Various combinations of Quad-Tap®, HPF ballast, 347 volt for Canada and 50 Hz 220/240 volt available.
- Dark bronze powder paint finish standard on housing. Front is painted inside the polycarbonate to provide lasting appearance.
- Medium base lamp included.



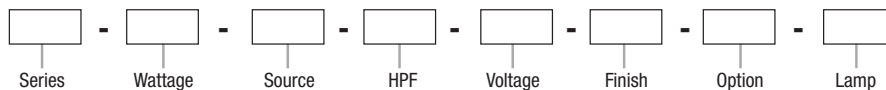
LISTINGS

- CSA certified to UL 1598 for use in wet locations.



ORDERING INFORMATION

ORDERING EXAMPLE: PRS3-0150P-18-BZ-QSS-L



CATALOG NUMBER ¹	WATTAGE	VOLTAGE/BALLAST	WEIGHT	
			lbs.	kg
PULSE START METAL HALIDE				
PRS3-070P-18-BZ-L	70	Quad/PS (HPF)	17	7.7
PRS3-100P-18-BZ-L	100	Quad/PS (HPF)	18	8.2
PRS3-150P-18-BZ-L	150	Quad/PS (HPF)	18	8.2
HIGH PRESSURE SODIUM				
PRS3-0070S-18-BZ-L	70	Quad/AL (HPF)	16	7.3
PRS3-0100S-18-BZ-L	100	Quad/AL (HPF)	17	7.7
PRS3-0150S-18-BZ-L	150	Quad/AL (HPF)	17	7.7

¹ Lamp included.

NOTE: For Tri-Tap® (120/277/347V) change **8** to **6** (for Quad-Tap® ballasts, 208 & 240V not CSA).
NOTE: 50 Hz 220/240V available on 70 watt HPS, 150 watt HPS and 175 watt MH.

ACCESSORIES

(order as separate part #)

Catalog Number	Description
PBT-1	Photocontrol, 120 volt
PBT-234	Photocontrol, 208, 240, 277 volt
PVL3V	Full Cutoff Visor, formed aluminum, bronze finish

PHOTOMETRIC REPORTS

Catalog Number	Report #
PRS-0150S-12X	HP05398.IES
PRS-0175H-12X (PRS3150P)	HP05399.IES
PRS-0175H-12X-PVLV (PRS3 150P/PVL3V)	HP07384.IES



PRS3 WITH PVL3V

OPTIONS

(factory installed, add appropriate suffix)

Catalog Number	Description
-EM	Double Contact Socket for remote power (less lamp) all units
-QSS	Quartz Restrike System including relay (less lamp) all units (double contact bayonet socket)
-RS	Hot Restrike System, quickly restores main lamp output after power outage (HPS only)