

CEILING MOUNT NEWARK SERIES

NKI 14" SQUARE
NKII 19" SQUARE

Cat. #		Approvals
Job	Type	



APPLICATIONS

- Parking garages, canopies, stairs, walkways, and loading docks

SPECIFICATIONS

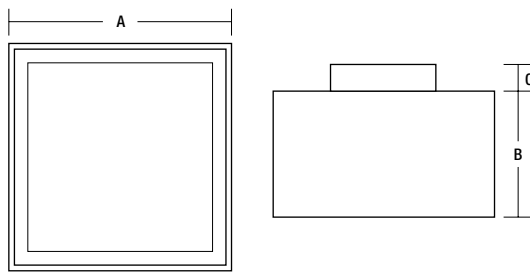
- Formed aluminum door with clear, flat tempered glass lens, fully gasketed to housing. Concealed hinge door secured with two captive screws
- Formed and welded aluminum housing. Ceiling mount with cast aluminum box, hinges to housing bracket. Trunnion mount with formed aluminum yoke, adjustable for suspension distance
- Specular, anodized aluminum reflectors for horizontal lamp, provide Type III, IV or V square light patterns. For vertical lamp, provide Type V square light pattern. Type IV and V vertical lamp distributions with medium base 150 HPS, 175 PS and 200 PS only. IESNA Full Cutoff lighting classification

- Mogul base porcelain socket, pulse rated, with spring-loaded, nickel-plated center contact and reinforced lamp grip screw shell. HPF ballast, starting rated at -20°F (-40°F for HPS). Pulse Start is CWA, or Super CWA type. High Pressure Sodium is Auto-Reg type

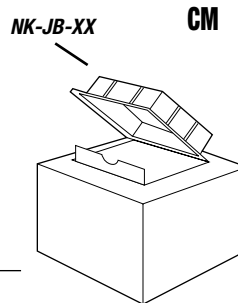
- Powder paint finishes available in dark bronze, black, gray, white and platinum

LISTINGS

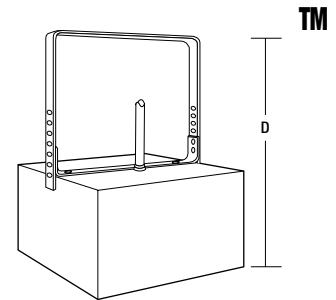
- Listed to UL1598 for use in wet locations



	A	B	C	D	Weight
NKI	14"	8"	2"	18-24"	36 lbs
	356 mm	203 mm	51 mm	457-610 mm	16.3kg
NKII	19"	10"	2"	21-27"	52 lbs
	483 mm	254 mm	51 mm	533-686 mm	23.6 kg



CEILING MOUNT
(junction box standard
shipped with fixture)



TRUNNION MOUNT

ORDERING INFORMATION

ORDERING EXAMPLE: NK2-CM-P35-H3-F-Q-D8-F1

[]	-	[]	-	[]	-	[]	-	[]	-	[]	-	[]
SERIES		SOURCE/WATTAGE		LAMP ORIENTATION/ DISTRIBUTION		LENS		VOLTAGE		COLOR		OPTIONS
NK1 70-175w (H3, H4, H5, V5)		PULSE START METAL HALIDE P70 70w (ED-17) med. P10 100w (ED-17) med. P12 125w (ED-17) med. P15² 150w (ED-28) horiz. P17³ 175w (ED-17) med. vertical		H3 Horiz. III H4 Horiz. IV H5 Horiz. V (square) V4 Vert. IV (NK2) V5 Vert. V (square)		F Flat		Q⁴ Quad-Tap® 120/208/240/277V 5⁵ 480V T⁴ 120/277/347V		DB Dark Bronze BL Black WH White GR Gray PS Platinum Silver RD Red (premium color) FG Forest Green (premium color) CC Custom Color (consult factory)		F1 Fusing - 120V F2 Fusing - 208V F3 Fusing - 240V F4 Fusing - 277V F5 Fusing - 480V F6 Fusing - 347V QZ Quartz Restrike with lamp VG Polycarbonate vandal guard LJB Less junction box (order accessory box separately to ship ahead of fixture)
NK2¹ 150-400w (H3, H4, H5) or 150-200w (V4, V5)		HIGH PRESSURE SODIUM S70² 70w (ED-23 1/2) S10² 100w (ED-23 1/2) S15² 150w(ED-23 1/2) S25 250w (ED-18) S40 400w (ED-18)										
MOUNT												
CM Ceiling mount												
GC1 Garage trunnion - cord (NK1 12-18")												
GC2 Garage trunnion - cord (NK1 18-24")												
GC3 Garage trunnion - cord (NK2 15-21")												
GC4 Garage trunnion - cord (NK2 21-27")												
GD1 Garage trunnion - conduit (NK1 12-18")												
GD2 Garage trunnion - conduit (NK1 18-24")												
GD3 Garage trunnion - conduit (NK2 15-21")												
GD4 Garage trunnion - conduit (NK2 18-24")												

- 1 Vertical models available with medium base ED-17 lamps up to 200w PSMH and 150w HPS
- 2 Must use medium base ED-17 lamp in vertical units
- 3 Vertical orientation only
- 4 Factory wired for highest voltage unless specified
- 5 Not available with 70w or 100w PSMH

Replacement Parts

Catalog Number	Description
7719901	Glass lens only NK1
7736401	Glass lens only NK2

ORDERING INFORMATION

PHOTOMETRIC REPORTS

NK1

Catalog Number	Report #
NKI-CM-H17-H3-F (P15)	L9419NKC
NKI-CM-H17-H5-F (P15)	L9431NKC
NKI-CM-H17-H4-F (P15)	L9307NKC
NKI-CM-H17-V5-F (P15)	L5017NKP
NKI-CM-S15-H3-F	L9426NKC
NKI-CM-S15-H5-F	L9434NKC
NKI-CM-S15-H4-F	L9308NKP
NKI-CM-S15-V5-F	L9487NKP

NK2

Catalog Number	Report #
NK2-CM-H40-H3-F (P35)	L4890NKC
NK2-CM-MS40-H5-F (P40)	L3125NKC
NK2-CM-P20-V5-F	L5084NKC
NK2-CM-P20-V4-F	L5226NKP
NK2-CM-S40-H3-F	L4901NKC
NK2-CM-S40-H4-F	L3652NKP
NK2-CM-S40-H5-F	L3126NKP

Due to our continued efforts to improve our products, product specifications are subject to change without notice.



Outdoor Lighting

Hubbell Outdoor Lighting • 701 Millennium Boulevard • Greenville, SC 29607 • PHONE: 864-678-1000

For more information visit our web site: www.hubbelloutdoor.com