

MICROLITER[®] SERIES

Cat. #		Approvals
Job	Type	



APPLICATIONS

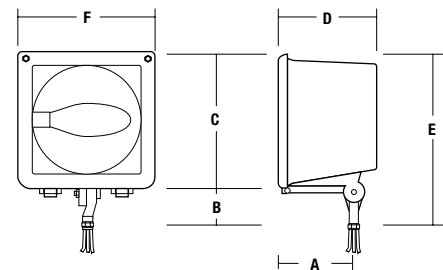
- Signs, facades, small area illumination, flag poles and landscape accent

SPECIFICATIONS

- Die cast aluminum housing is rugged, yet lightweight and compact in size
- The die cast aluminum door hinges and is removable for service. Two Hubbell Gard[®] screw fasteners secure the lens door to a silicone gasket for positive seal
- 1/2" cast aluminum knuckle provides universal aiming (1/2 x 14 NPS)
- Rotatable optics. Medium base lamp included
- HPS offered in 120V NPF or Multitap HPF, PSMH is HPF Multitap
- Bronze powder paint finish

LISTINGS

- Listed to UL1598 for use in damp locations



A	B	C	D	E	F
4 ⁷ / ₈ "	2 ¹ / ₂ "	9 ¹ / ₄ "	7 ³ / ₈ "	12 ¹ / ₈ "	9 ¹ / ₄ "
124 mm	64 mm	235 mm	187 mm	308 mm	235 mm



ORDERING INFORMATION

Catalog Number ¹	Wattage	Photometry NEMA/IES H° x V°	Lamp Type	Voltage	Weight lbs. (kg)	EPA ft ² (m ²)	Ballast Type ²
Normal Power Factor, High Pressure Sodium							
MIC-0070S-651	70	5 (90°) x 6 (102°)	Coated	120 NPF	9 (4.1)	0.71 (0.1)	RX
MIC-0150S-651	150	5 (71°) x 3 (34°)	Clear	120 NPF	10 (4.6)	0.71 (0.1)	RX
High Power Factor, High Pressure Sodium							
MIC-0070S-258 ³	70	5 (90°) x 6 (102°)	Coated	120/208/240/277	11 (5)	0.71 (0.1)	AL
MIC-0150S-258 ³	150	5 (71°) x 3 (34°)	Clear	120/208/240/277	14 (6.4)	0.71 (0.1)	AL
High Power Factor, Pulse Start Metal Halide							
MIC-0070H-358 ³	70	5 (81°) x 4 (60°)	Clear	120/208/240/277	11 (5)	0.71 (0.1)	AL
MIC-0100H-358 ³	100	5 (86°) x 4 (62°)	Clear	120/208/240/277	13 (5.9)	0.71 (0.1)	AL
MIC-0150P-338 ³	150	3 (32°) x 3 (36°)	Clear	120/208/240/277	14 (6.4)	0.71 (0.1)	PLA
MIC-0150P-358 ³	150	6 (103°) x 5 (81°)	Clear	120/208/240/277	14 (6.4)	0.71 (0.1)	PLA
Less Ballast - Medium Base Socket							
MIC-XXXX-XXX	Less Ballast	Varies	150 max	None	6 (2.7)	0.71 (0.1)	None

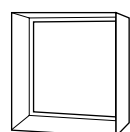
- 1 Lamp included
- 2 Ballasts are Class H, -40°F starting (HPS), -20°F starting (PSMH)
- 3 Quad-Tap[®] luminaires are shipped wired for 277V, easily changed to other voltages in the field

ACCESSORIES - Order Separately

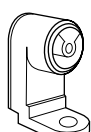
Catalog Number	Description
MIC-GS-2	Glare shield (360°) bronze
MIC-TB	Crossarm trunnion box, half yoke with large wiring box for mounting to any flat surface
MIC-SPC-2	Polycarbonate shield assembly
S-302-M51	Pole-top slipfitter for 1/2" knuckle, slipfits 2 3/8" OD pipe, bronze finish
PBT-1	Photocontrol, button type, 120V

REPLACEMENT PARTS

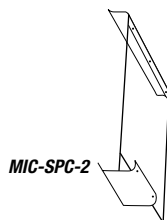
Catalog Number	Description
264-0292-9903	Lens
800-2827-0100	Bronze lens/door assembly
207-5011-0264	Bronze knuckle



MIC-GS-2



MIC-TB



MIC-SPC-2

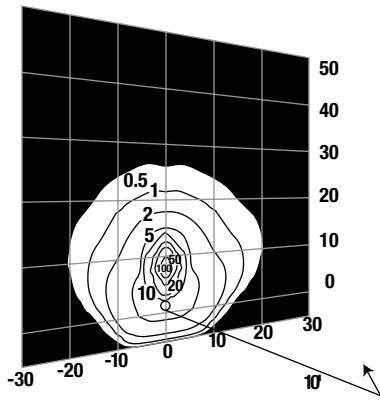


S-302-M51

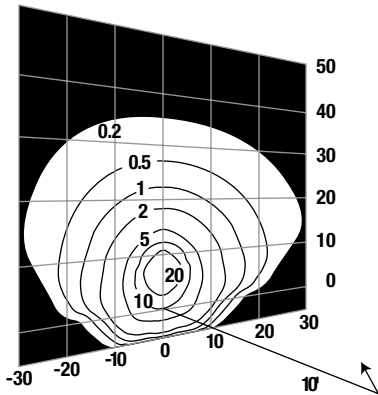


PBT-1

PHOTOMETRICS For additional photometric information and IES downloads, visit our web site at www.hubbell-ltg.com



**MICROLITER
MIC-0100H-32X
NARROW BEAM**



**MICROLITER
MIC-0100H-35X
MEDIUM BEAM**

PHOTOMETRIC REPORTS

Catalog Number	Report #
MIC-0175H-35X	HP04770S.IES
MIC-0175H-33X	HP04771S.IES
MIC-0070H-35X	HP04774S.IES
MIC-0070H-32X	HP04775S.IES
MIC-0150S-25X	HP04910S.IES

Due to our continued efforts to improve our products, product specifications are subject to change without notice.



Outdoor Lighting

Hubbell Industrial Lighting • 701 Millennium Boulevard • Greenville, SC 29607 • PHONE: 864-678-1000

For more information visit our web site: www.hubbelloutdoor.com