

LARAMIE SERIES LFM

Cat. #		Approvals
Job	Type	



APPLICATIONS

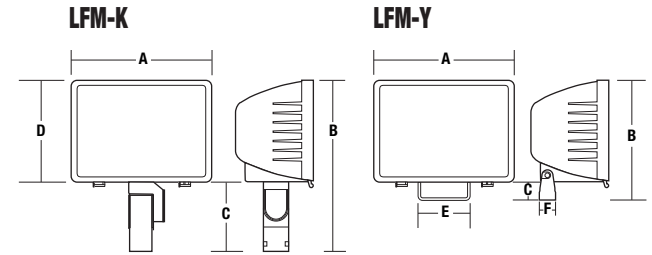
- Signs, facades, area illumination and landscape accent.

SPECIFICATIONS

- Die cast aluminum housing and door. Twin screw closure provides positive seal.
- Tempered, impact-resistant clear glass lens.
- Steel yoke (LFM-Y), or cast aluminum knuckle (LFM-K) mounting.
- Wide, uniform beam from one piece hydroformed reflector with coverage four times set back distance.
- Pulse start metal halide, HPS, electronic metal halide and 120watt compact fluorescent systems available.
- Five standard finishes: Bronze, Black, Gray, White and Platinum.
- Lamp included with fixture.

LISTINGS

- CSA certified to UL 1598 for use in wet locations.

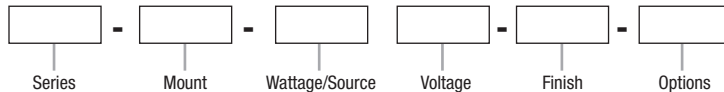


	A	B	C	D	E	F
LFM-K	17 ³ / ₈ "	21 ¹ / ₁₆ "	9 ¹ / ₈ "	12 ¹ / ₂ "	-	-
	441 mm	535 mm	231 mm	317 mm	-	-
LFM-Y	17 ³ / ₈ "	14 ¹¹ / ₁₆ "	3"	12 ¹ / ₂ "	6"	2"
	441 mm	373 mm	76 mm	317 mm	152 mm	51 mm



ORDERING INFORMATION

ORDERING EXAMPLE: LFM-Y-400P8-BZ-PC120



SERIES

LFM Laramie Flood Medium

MOUNTING

Y Yoke Mount
K Knuckle Mount for 2³/₈" tenon

WATTAGE/SOURCE

Pulse Start Metal Halide

150P 150W
250P 250W
320P 320W
400P 400W

HPS

150S 150W
250S 250W
400S 400W

Electronic MH

150E 150W

Fluorescent

120F 120W

VOLTAGE

8 Quad Tap®
(120, 208, 240, 277V)
(standard on Electronic MH)
5 480V
E 220/240V 50Hz
(standard on Electronic MH)

FINISH

BZ Bronze
BL Black
GR Gray
W White
PL Platinum

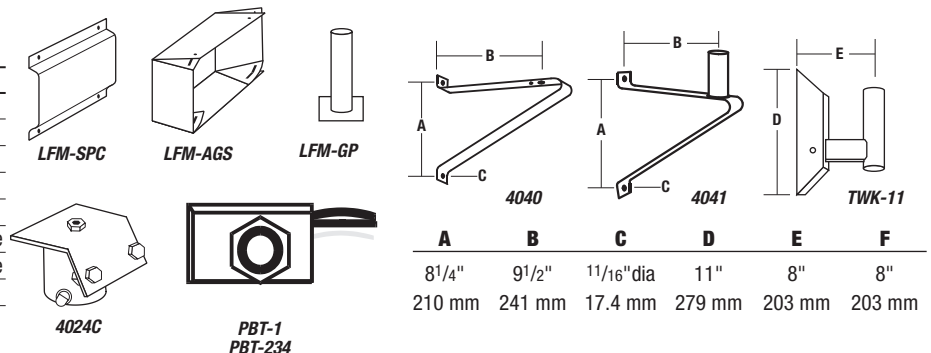
OPTIONS

PC(XXX) Button Photocontrol
(replace X with voltage:
120, 208, 240, 277)
F(XXX) Fusing
(replace X with voltage:
120, 208, 240, 277, 480, 347)
QST Time Delay Quartz
(stand by system less lamp)
EM DC Bayonet Socket only
(for remote power by others)

ACCESSORIES

(order as separate part #)

Catalog Number	Description
LFM-SPC	Polycarbonate Shield
LFM-AGS	Glare Shield - black
LFM-GP	Ground Post - black
PBT-1	Button Photocontrol 120V
PBT-234	Button Photocontrol 208, 240, 277V
4024C	2 ³ / ₈ " O.D. Slipfitter for yoke units - bronze
TWK-11	Wall Bracket with 2 ³ / ₈ " O.D. tenon - bronze
4040	Steel Angle Bracket for LFM-Y, bronze
4041	Steel Angle Bracket with 2 ³ / ₈ " O.D. tenon for LFM-K - bronze



Due to our continued efforts to improve our products, product specifications are subject to change without notice.



Outdoor Lighting

Hubbell Outdoor Lighting • 701 Millennium Boulevard • Greenville, SC 29607 • PHONE: 864-678-1000
For more information visit our web site: www.hubbell-ltg.com