

INCANDESCENT LAMPHOLDERS

103-7/308/309/306/103

Cat. #		Approvals
Job	Type	



APPLICATIONS

- Ideal for a wide variety of industrial and commercial applications as accent and general lighting.

SPECIFICATIONS 308/309

- Die cast bullet series 175 watt maximum.
- Open 308 Series is used indoors or aimed down outdoors. Provides shielding of PAR 38 lamps.
- 309 Series has extension ring and weathertight lens. Improves shielding and allows universal aiming in wet locations.
- NEW! 10 watt 120-277V LED unit available saves energy and maintenance - Bronze finish. 50,000 hour typical life. 3,500K/253 lumens.



- Multiple powder paint finishes.

SPECIFICATIONS 306

- Cast aluminum housing with decorative "visor" styling. Designed for maximum heat dissipation for long lamp life.
- Lens is thermal shock and impact resistant and mounted to cast door for easy service.
- High temperature silicone gaskets seal housing and cushion lamp for all-weather protection.
- Universal adjustable 1/2" NSPM threaded mounting arm with lock nut. Relamp without disturbing original aiming. Floating-end prong porcelain socket.
- Factory wired for fast, easy installation.
- Gray powder paint finish.

LISTINGS

- CSA certified for indoor and outdoor use. Suitable for wet locations.

SPECIFICATIONS 103-7

- Cast aluminum lamp housing with 1/2" NPSM male swivel mounting arm. For all-weather protection.
- Universal aiming with PAR 38 lamps.
- Factory wired for fast, easy installation.
- Gray, green and black powder paint finishes.

LISTINGS

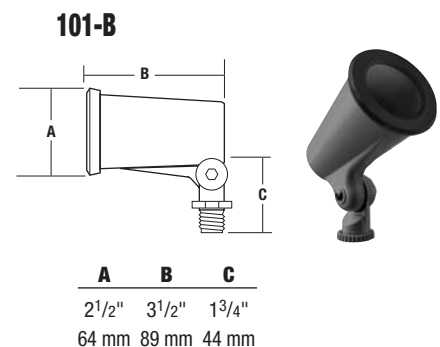
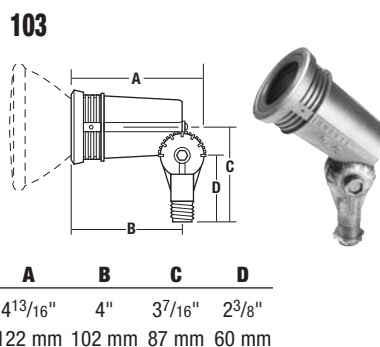
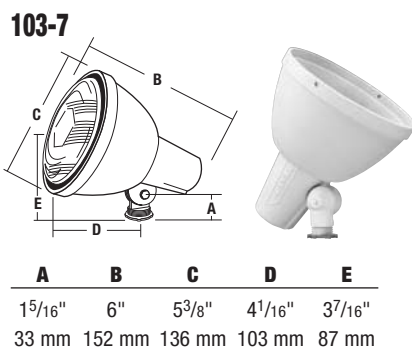
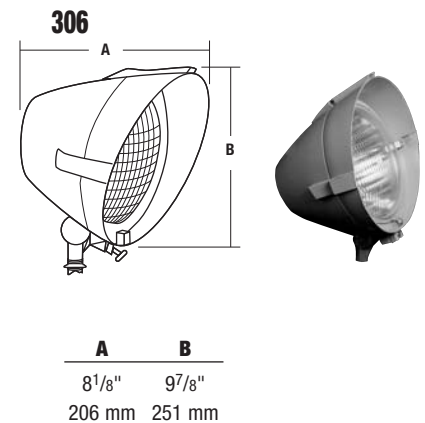
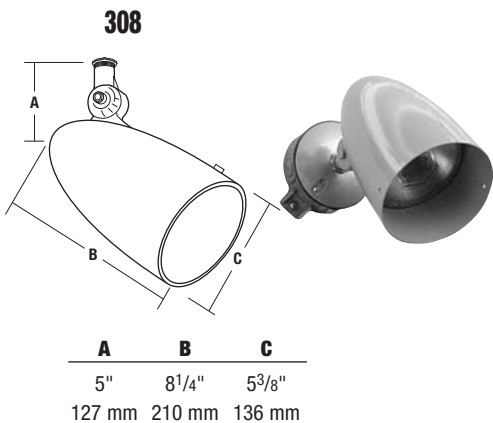
- Listed for wet location.

SPECIFICATIONS 103

- Industrial grade with silicone "O" ring gasket for 150 watt maximum PAR or R lamps.
- Large 1/2" knuckle provides firm mounting.
- Natural aluminum finish.

SPECIFICATIONS 101B

- Economy PAR lampholder with front EPDM gasket for up aiming capability in wet locations.
- 150W max., bronze finish.



ORDERING INFORMATION

see back

ORDERING INFORMATION

BELL LAMPHOLDER FLOOD 103-7 SERIES

Catalog Number	Description	Gasket	Finish	Weight	
				lbs	kg
103-7	Swivel Knuckle Mount, 6" leads	Silicone	Gray	1.25	.6
103-71	Swivel Knuckle Mount, 6" leads	Silicone	Bronze	1.25	.6
103-72	Swivel Knuckle Mount, 6" leads	Silicone	Black	1.25	.6
103-73	Swivel Knuckle Mount, 6" leads	Silicone	Garden Green	1.25	.6
103-74	Swivel Knuckle Mount, 6" leads	Silicone	White	1.25	.6

ACCESSORIES 103-7

(order as separate part #)

Catalog Number	Description	Weight	
		lbs	kg
1048 ¹	Lens Holder attaches to outside of lampholder, 103-7 Series only	.125	.06
1052-C	Clear Lens, must order 1048 lens holder	.125	.06
1324	Zinc-Plated Wire Guard, for PAR 38 lamps only	.5	.2
1031-3	Ground Spike with integral splice box & 6' #18/3 cord set & 1/2" NPSM hub	2.0	.9

NOTE: Use as low wattage lamp as possible with colored lenses. Colored lenses are tempered but cannot be guaranteed in up aiming applications due to cold rain variables.

1 1048 lens holder cannot be used with PAR 38. When using lenses, R-30 or A-21 lamp must be used.

BULLET LAMPHOLDER FLOOD 308/309 SERIES

Catalog Number	Description	Finish	Weight	
			lbs	kg
DAMP LOCATION LISTED - AIM DOWN OUTDOORS¹				
308-M	8 ¹ / ₄ " long	Gray	2.25	1.0
308-13-M	8 ¹ / ₄ " long	Garden Green	2.25	1.0
308-14-M	8 ¹ / ₄ " long	Matte Black	2.25	1.0
308-M51-M	8 ¹ / ₄ " long	Verdi	2.25	1.0

WET LOCATION LISTED - UNIVERSAL AIMING²

309-ML	9 ⁷ / ₈ " long	Gray	3	1.4
309-13-ML	9 ⁷ / ₈ " long	Garden Green	3	1.4
309-14-ML	9 ⁷ / ₈ " long	Matte Black	3	1.4
309-VG-ML	9 ⁷ / ₈ " long	Verdi	3	1.4
309-M51-ML	9 ⁷ / ₈ " long	Dark Bronze	3	1.4
309-M54-ML	9 ⁷ / ₈ " long	White	3	1.4

1 Use medium base PAR 38 lamps or smaller, 150 watt maximum.

2 Use PAR 38 or R40 lamps, 175 watt maximum.

LED - WET LOCATION - UNIVERSAL AIMING

30910LEDML ¹	9 ⁷ / ₈ " long	Bronze	5	2.2
-------------------------	--------------------------------------	--------	---	-----

1 3500K color temperature - 10watts, 253 lumens, 5H x 5V.

ACCESSORIES 309

(order as separate part #)

Catalog Number	Description	Weight	
		lbs	kg
1056-C	Clear Lens and retaining ring	.5	.2
1324	Zinc-Plated Wire Guard	.25	.1
1338	Louver, matte black finish	.5	.2
309-S	Shield, 7" X 45°, black	1.7	.8

PAR 56 LAMPHOLDER FLOOD 306

Catalog Number	Description	Weight	
		lbs	kg
306	1/2" Swivel Knuckle mount, 12" leads, hinged door and lens, gray finish	3.375	1.7

NOTE: PAR 56 lampholders for 300 watt (maximum) incandescent or 500 watt quartz.

NOTE: Lamp not included.

PAR 38 LAMPHOLDER 103

Catalog Number	Description	Max. Watts	Gasket	Finish	Weight	
					lbs	kg
103 ¹	Swivel Knuckle Mount,	150	Silicone	Nat. Aluminum	.75	.3

1 Large knuckle construction for greater strength.

NOTE: Lamp not included. Infrared or heat lamps not recommended.

PAR 38 LAMPHOLDER 101B

Catalog Number	Description	Max. Watts	Gasket	Finish	Weight	
					lbs	kg
101-B	Swivel Knuckle Mount,	150	EPDM	Bronze	.58	.26

NOTE: Lamp not included. Infrared or heat lamps not recommended.



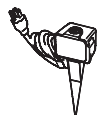
1324



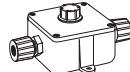
1338



309-S



1031-3



NM-BC

Due to our continued efforts to improve our products, product specifications are subject to change without notice.



Outdoor Lighting

Hubbell Outdoor Lighting • 701 Millennium Boulevard • Greenville, SC 29607 • PHONE: 864-678-1000

For more information visit our web site: www.hubbell-ltg.com