

FACADE FLOOD SERIES

Cat. #		Approvals
Job	Type	

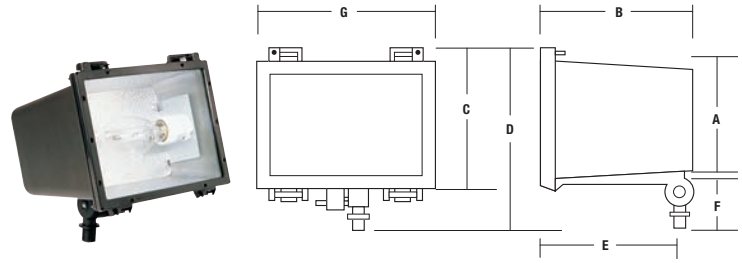


APPLICATIONS

- Building facades, landscape lighting, sign lighting, display, as well as general safety and security lighting.

SPECIFICATIONS

- Durable die cast aluminum housing construction.
- Polycarbonate door frame retains tempered glass and has twin tool-free latches for easy servicing. Gasketing provides weather-tight seal to housing.
- Rugged 1/2" threaded knuckle mounting (1/2-10 NPSM).
- Wide uniform beam designed for close set backs. Lamp included.
- HPS – reactor NPF ballastry 120V.
Metal halide – HX-HPF -20°F starting.
Compact fluorescent – electronic ballast 50/60 Hz 120-277V.
- Bronze powder paint finish.



A	B	C	D	E	F	G
4 ⁹ / ₁₆ "	6 ⁷ / ₈ "	7 ⁷ / ₁₆ "	8 ¹ / ₁₆ "	6 ¹ / ₁₆ "	2"	9"
116 mm	175 mm	189 mm	205 mm	154 mm	51 mm	229 mm

LISTINGS

- UL 1598 listed for use in wet locations.



ORDERING INFORMATION

ORDERING EXAMPLE



Catalog Number ³	Lamp/Wattage	NEMA Beam Type 1 H° x V°	Voltage		Weight		EPA		Ballast Type ²
			lbs	kg	ft ²	m ²			
HIGH PRESSURE SODIUM²									
F-070S1	70	6H x 7V	120		7	3.2	.6	.05	RX
F-150S1	150	6(127°) x 7(146°)	120		8	3.6	.6	.05	RX
PULSE START METAL HALIDE²									
F-050H1	50	6H x 7V	120		8	3.6	.6	.05	HX-HPF
F-070H1	70	6H x 7V	Quad-Tap [®]		9	4.1	.6	.05	HX-HPF
F-100H1	100	6(128°) x 7(146°)	Quad-Tap [®]		10	4.6	.6	.05	HX-HPF
COMPACT FLUORESCENT									
F-042F8	42	6H x 7V	Quad-Tap [®]		5	2.3	.6	.05	EL

¹ NEMA type 6 has a field angle (beam spread) of 100° to 130°; type 7 has greater than 130°.
² All HPS units are NPF; Metal Halide units are all HPF; Electronic Ballast 50/60 Hz 120-277V.
³ Lamp included.

ACCESSORIES

(order as separate part #)

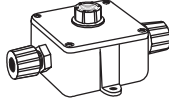
Catalog Number	Description
S-302-M51	Pole-top Slipfitter for 1/2" swivel knuckle. Slipfitter 2 ³ / ₈ " O.D. pipe, bronze finish
PBT-1	Photocontrol, button type, 120V
NMBC	Non-metallic, high-impact phenolic weatherproof Box and Cover. Box is drilled at 180° for two burial cable connectors which are included allowing feed-thru capability; gasketed cover has weathertight 1/2" hub; brass cover screws
S-329-B	Cast Round Box with (4) 1/2" side hubs and (1) 1/2" back hub - cover included with 1/2" hub for fixture knuckle; natural aluminum finish
1031-3	Spike with splice box and 6 ft. cordset, portable; gray finish



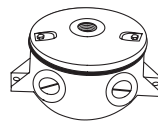
S-302-M51



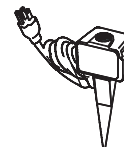
PBT-1



NMBC

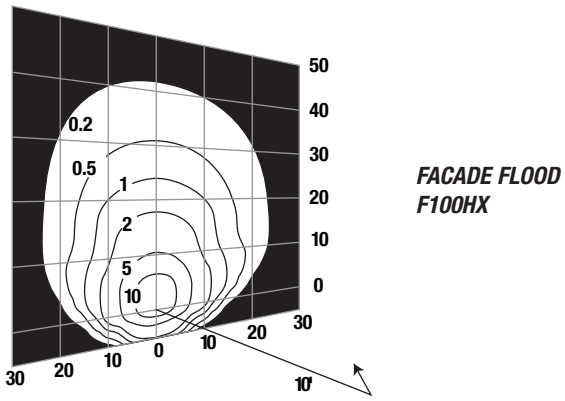


S-329-B



1031-1

PHOTOMETRICS For additional photometric information and IES downloads, visit our web site at www.hubbell-ltg.com



PHOTOMETRIC REPORTS

Catalog Number	Report #
F100H1	HP07474.IES
F150S1	HP07475.IES

Due to our continued efforts to improve our products, product specifications are subject to change without notice.



Outdoor Lighting

Hubbell Outdoor Lighting • 701 Millennium Boulevard • Greenville, SC 29607 • PHONE: 864-678-1000
For more information visit our web site: www.hubbell-ltg.com