

# WALL OR CEILING MOUNT

EUROLUXE® SERIES

Cat. #		Approvals
Job	Type	



## APPLICATIONS

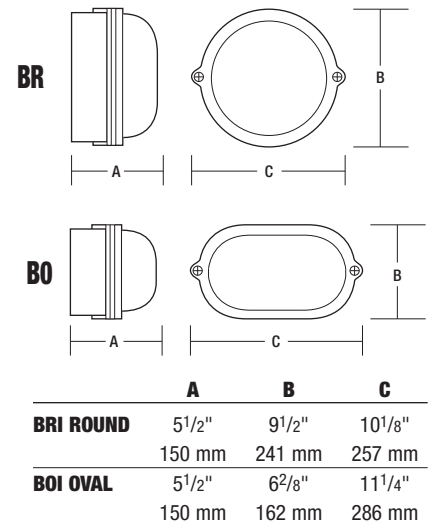
- Numerous colors and accessories, including guards and shields, are available for both interior and exterior applications.

## SPECIFICATIONS

- Borosilicate glass lens sealed to housing by silicone gasket and stainless steel philips head screws.
- Die cast aluminum housing and face trims. Two point lag or hickey mount to recessed junction box.
- Ribbed lens uniformly spreads light for a symmetrical, soft distribution.
- Available in 50 watt HPS, 28 watt fluorescent and 100 watt max. incandescent, 120 volt.
- BRL LED unit available in 6 watt 120volt, 380 lumens, 5000K.
- Dark bronze, black and white finishes are standard.
- Lamp included on 50W HPS and 28w fluorescent.

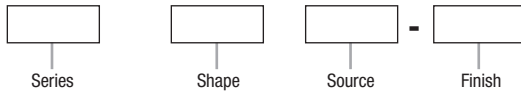
## LISTINGS

- CSA certified TO UL 1598 for use in wet locations.



## ORDERING INFORMATION

ORDERING EXAMPLE: BOI-01



Catalog Number	Shape	Finish	Wattage	Weight	
				lbs.	kg
<b>LED</b>					
<b>BRI-01</b>	Round	Bronze	6 max.	5.5	2.5
<b>BRI-04</b>	Round	White	6 max.	5.5	2.5
<b>INCANDESCENT<sup>2</sup></b>					
<b>BRI-01</b>	Round	Bronze	100 max.	4.0	1.8
<b>BRI-02</b>	Round	Black	100 max.	4.0	1.8
<b>BRI-04</b>	Round	White	100 max.	4.0	1.8
<b>BOI-01</b>	Oval	Bronze	100 max.	3.5	1.6
<b>BOI-02</b>	Oval	Black	100 max.	3.5	1.6
<b>BOI-04</b>	Oval	White	100 max.	3.5	1.6
<b>HIGH PRESSURE SODIUM (lamp included)<sup>2</sup></b>					
<b>BRS-01</b>	Round	Bronze	50	7.5	3.4
<b>BRS-02</b>	Round	Black	50	7.5	3.4
<b>BRS-04</b>	Round	White	50	7.5	3.4
<b>BOS-01</b>	Oval	Bronze	50	7.0	3.2
<b>BOS-02</b>	Oval	Black	50	7.0	3.2
<b>BOS-04</b>	Oval	White	50	7.0	3.2
<b>FLUORESCENT (lamp included)<sup>1,3</sup></b>					
<b>BRF-01</b>	Round	Bronze	28	6.0	2.7
<b>BRF-02</b>	Round	Black	28	6.0	2.7
<b>BRF-04</b>	Round	White	28	6.0	2.7
<b>BOF-01</b>	Oval	Bronze	28	5.5	2.5
<b>BOF-02</b>	Oval	Black	28	5.5	2.5
<b>BOF-04</b>	Oval	White	28	5.5	2.5

<sup>1</sup> Fluorescent CSA certified for outdoor applications only, not available in 277V.

<sup>2</sup> Pulse rated medium base socket.

<sup>3</sup> Two-pin fluorescent socket - PLC type.

## ACCESSORIES

(order as separate part #)

Catalog Number	Description
<b>BO-GX<sup>1</sup></b>	Cast aluminum guard for oval fixture
<b>BR-GX<sup>1</sup></b>	Cast aluminum guard for round fixture
<b>BO-SX<sup>1</sup></b>	Cast aluminum shield for oval fixture
<b>BR-SX<sup>1</sup></b>	Cast aluminum shield for round fixture

<sup>1</sup> Finish must be specified, bronze and white are stock, substitute X for: 1-bronze, 2-black, 3-gray, 4-white, 6-beige, 7-green



## PHOTOMETRIC REPORTS

Catalog Number	Report #
BRI-0X	<b>HP05330.IES</b>
BRI-0X/BR-SX	<b>HP05331.IES</b>
BRI-XX	<b>ITL60433.IES</b>

Due to our continued efforts to improve our products, product specifications are subject to change without notice.



Outdoor Lighting

Hubbell Outdoor Lighting • 701 Millennium Drive • Greenville, SC 29607 • PHONE: 864-678-1000  
For more information visit our web site: [www.hubbell-ltg.com](http://www.hubbell-ltg.com)