

UPLIGHT

309 HID SERIES

Cat. #		Approvals
Job	Type	



APPLICATIONS

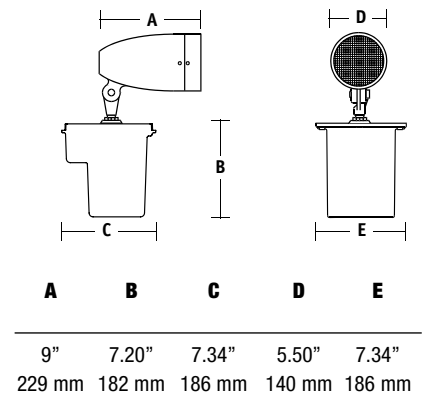
- H.I.D. Bullet Lights provide accent illumination for facade, columns, trees, flags and other vertical targets. Excellent for green foliage, lamps are cataloged (by others) in several beam spreads

SPECIFICATIONS

- Black bullet lampholder mounted on non-metallic burial ballast box
- Die cast aluminum bullet with silicone sealed lens, "O" ring housing seal
- Tempered clear stippled glass lens
- CSA certified to UL 1598, suitable for wet locations, ballast box buried
- 70 or 100 watt MH. Units supplied less lamp
- (2) 3/4" and (1) 1/2" wiring hubs provided (feed-through requires 125°C leads)
- Reinforced non-metallic ballast housing with cast bronze cover, silicone gasket seal
- Black powder paint finish on bullet head
- Lamps are not included. Sockets are medium base. Fixture capable for PAR 38 or BR 40 shape lamps

LISTINGS

- Listed to UL1598 for use in wet locations, ballast box buried



ORDERING INFORMATION

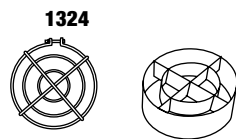
Catalog Number	Wattage	Voltage	Input Watts	Amps	Weight lbs. (kg)
Pulse Start Metal Halide					
309-8P	100w HPF	120/277	129	2.3 / 1.0	16 (7.3)
309-7P	70w HPF	120/277/347V	95	1.9 / .8 / .7	16 (7.3)

ACCESSORIES - Order Separately

Catalog Number	Description	Weight lbs. (kg)
1056-C	Replacement clear lens and retaining ring	.2 (0.1)
1324	Zinc-plated wire guard for 308/309	.1 (0.1)
309-S	Shield, 7" X 45°, Black for 309	.8 (0.4)

REPLACEMENT PART

Catalog Number	Description
207-5011-0222	Knuckle



Due to our continued efforts to improve our products, product specifications are subject to change without notice.



Hubbell Outdoor Lighting • 701 Millennium Boulevard • Greenville, SC 29303 • PHONE: 864-678-1000
 For more information visit our web site: www.hubbelloutdoor.com