

ST

Soffitier Recessed Downlight

RECESSED CEILING



- Square, formed aluminum housing with integral trim flange
- Aluminum lens frame with prismatic, flat glass lens, fully gasketed to housing; Hinged frame secured with captive screw; Optional drop prismatic acrylic, or drop prismatic polycarbonate lenses
- Diffused, anodized aluminum reflectors for horizontal or vertical lamp, provide asymmetric or symmetric light pattern, respectively
- TGIC thermoset white polyester powder paint finish
- Recessed mount provided with adjustable aluminum brackets; Designed for 1/4" to 3/4" thick ceiling with 14 1/4" square, rough opening
- Thermal protector included
- Medium porcelain socket, pulse-rated, with spring-loaded, nickel-plated center contact and reinforced lamp grip screw shell; CFL has twin universal PLT sockets with electronic two lamp ballast
- CWA type ballast, HPF, starting rated at -20°F (-40°F for HPS); CFL 0°F starting
- Listed to UL1598 for use in damp locations

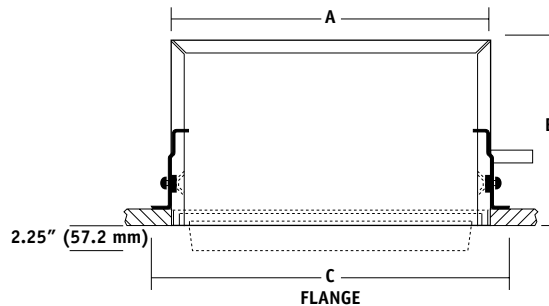
ORDERING INFORMATION

| ST | - | | - | | - | | - | WH | - | |
|--------------|---|--|---|----------|--|--|---|----|---|--|
| SERIES | SOURCE/WATTAGE | LAMP ORIENTATION/DIST | LENS | COLOR | OPTIONS | | | | | |
| ST Soffitier | PULSE START METAL HALIDE P70 70w (ED-17) P10 100w (ED-17) P12 125w (ED-17) P15 150w (ED-17) P17 ¹ 175w (ED-17) HIGH PRESSURE SODIUM S70 70w (ED-17) S10 100w (ED-17) S15 150w (ED-17) FLUORESCENT³ F84 (2x42 PLT) | HLAS ³ Horizontal - asymmetric VLSY Vertical - symmetric | FGP ⁴ Flat Glass (prismatic) DA Drop acrylic DP Drop polycarbonate | WH White | F1 Fusing - 120V F2 Fusing - 208V F3 Fusing - 240V F4 Fusing - 277V F6 Fusing - 347V QZ Quartz RS with lamp L Lamp TP Tamper resistant door screw | VOLTAGE Q ² Quad-Tap [®] (120, 208, 240, 277V) T ^{2.5} Tri-Tap [®] (120, 277, 347V) | | | | |

- 1 Vertical lamp orientation only
- 2 Factory wired for highest voltage unless specified
- 3 Fluorescent lamp orientation is horizontal only
- 4 IDA compliant
- 5 Not available on F84 unit

REPLACEMENT PARTS

| Catalog Number | Description |
|----------------|--------------------------------------|
| 5012110 | Replacement lens door for -DA units |
| 5012113 | Replacement lens door for -DP units |
| FGPST | Replacement lens door for -FGP units |



| A | B | C | Weight |
|-----------|--------|---------|---------|
| 13 13/16" | 8" | 16 5/8" | 34 lbs. |
| 351 mm | 203 mm | 422 mm | 15.4 kg |



Outdoor Lighting