

# NRG® 300B

## Perimeter Wallpack

- Full polycarbonate front provides vandal resistance and efficient spread; Lateral coverage on HID units is 5 times the typical mounting height up to 10 feet; Internally painted bronze finish for lasting appearance; Fluorescent photocontrol version available in white
- Rugged cast aluminum back housing for rigid mounting; Bottom 1/2" conduit knockout for surface conduit wiring (except on 'MS' unit); Back hub allows access to recessed wiring boxes; Two point mounting
- Lamp included
- Motion controlled unit has 180° detection range – saves energy by providing illumination only when needed
- New 10LED unit provides long-life with low energy consumption, a perfect upgrade for CFL units
- Units available with or without 120V button photocontrol, see ordering information
- Listed to UL 1598 for use in wet locations
- Tamper resistant center pin Torx hardware included



WALLPACKS

### ORDERING INFORMATION

Catalog Number <sup>1</sup>		Wattage	Voltage	Color	Weight lbs. (kg)
Without Photocontrol	With Photocontrol				
<b>High Pressure Sodium</b>					
NRG-301B	NRG-301B-PC <sup>2,3</sup>	50w	120V	Bronze	5 (2.3)
NRG-307B	NRG-307B-PC <sup>2,3</sup>	70w	120V	Bronze	5 (2.3)
<b>Pulse Start Metal Halide</b>					
NRG-350B	NRG-350B-PC <sup>2,3</sup>	50w	120V	Bronze	6.5 (2.9)
<b>Electronic Fluorescent<sup>4</sup></b>					
N/A	NRG-306B-PCW <sup>2</sup>	26w	120-277V (-PC120)	White	4.2 (1.9)
NRG-306B	NRG-306B-PC <sup>2</sup>	26w	120-277V (-PC120)	Bronze	4.2 (1.9)
N/A	NRG-304B-PCW <sup>2</sup>	42w	120-277V (-PC120)	White	4.2 (1.9)
NRG-304B	NRG-304B-PC <sup>2</sup>	42w	120-277V (-PC120)	Bronze	4.2 (1.9)
<b>Motion Controlled Electronic Fluorescent<sup>4</sup></b>					
N/A	NRG-304B-MS <sup>5</sup>	42w	120V	Bronze	6 (2.7)
<b>10LED – 635 Lumen – 14.6w input – 5000K</b>					
NRG-310LU <sup>6</sup>	NRG-310LU-PC <sup>6</sup>	14w	120-277V (-PC120)	Bronze	5 (2.3)

- Lamp included
- 120V only when ordered with photocontrol
- 120V NPF ballast for H.I.D.
- CFL lamps are 4-Pin, 3500K, GX24q-4
- Motion sensor has 180° detection range, adjustable time-on and sensitivity settings
- LED units feature five year limited warranty

### ACCESSORIES - Order Separately

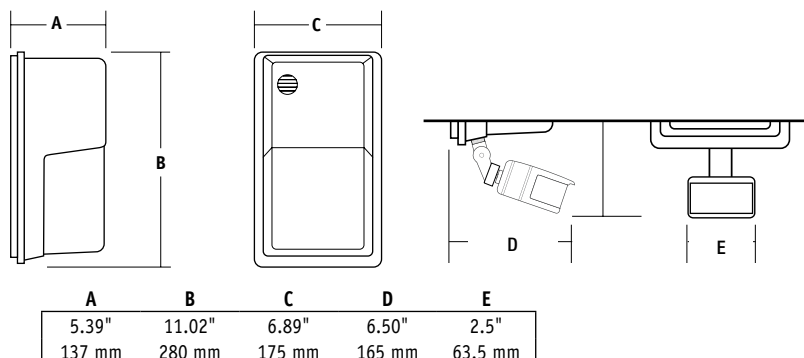
Catalog Number	Description
PBT-1	Button photocontrol, 120V
PBT-234	Button photocontrol, 208, 240, 277V

### REPLACEMENT PART

Catalog Number	Description
SM352-COVER	Polycarbonate front cover, bronze



NRG-304B-MS



Ridgeline Battery Fixture for 42w CFL egress unit with battery back-up (See Dual-Lite page 945)



Outdoor Lighting