

# Laramie LFM

## Decorative Flood

- Use for lighting signs, facades, large area security and accent applications
- Die-cast aluminum housing and door; Twin screw closure provides positive seal
- Tempered, impact resistant clear glass lens
- Steel yoke (LFM-Y), or cast aluminum knuckle (LFM-K) mounting
- Wide, uniform beam from one piece hydroformed reflector with coverage four times set back distance

- Pulse start, HPS, Electronic metal halide and 120w CFL systems available
- Five standard finishes: Bronze, Black, Gray, White and Platinum
- Lamps included with fixture
- HID units have mogul base sockets
- Listed to UL1598 for use in wet locations
- U.S. Patent Nos. D566,318, D574,102 and 6,461,026
- EPA - Effective Projected Area is 1.9 sq. ft.



FLOODLIGHTING

### ORDERING INFORMATION

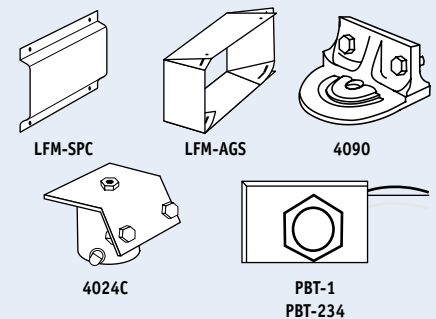
SERIES	MOUNT	WATTAGE/SOURCE	VOLTAGE	FINISH	OPTIONS
<b>LFM</b> Laramie Flood Medium	<b>Y</b> Yoke Mount <b>K</b> Knuckle Mount for 2 3/8" tenon	<b>PULSE START METAL HALIDE</b> <b>150P</b> 150w <b>250P</b> 250w <b>320P</b> 320w <b>400P</b> 400w <b>HIGH PRESSURE SODIUM</b> <b>150S</b> 150w <b>250S</b> 250w <b>400S</b> 400w <b>ELECTRONIC MH</b> <b>150E</b> 150w <b>FLUORESCENT</b> <b>120F</b> 120w (4100K)	<b>V</b> 5 Tap (250, 400w PS or HPS only) <b>8</b> Quad - Tap® (120, 208, 240, 277V) (standard on Electronic MH/ Fluorescent) <b>5</b> 480V <b>E</b> 220/240V, 50Hz <b>X</b> No ballast <b>6<sup>1</sup></b> Tri-Tap® 120/277/347	<b>BZ</b> Bronze <b>BL</b> Black <b>GR</b> Gray <b>WH</b> White <b>PS</b> Platinum	<b>P(X)</b> Button Photocontrol (replace X with voltage: 1-120, 2-208, 3-240, 4-277) <b>F(X)</b> Fusing (replace X with voltage: 1-120, 2-208, 3-240, 4-277, 5-480, 6-347) <b>QST</b> Time delay quartz (stand by system less DC bayonet base lamp) <b>EM</b> DC Bayonet socket only (for remote power by others)

<sup>1</sup> Not available on 150E or 120F wattage source

Replacement lens is 264-0358-9903

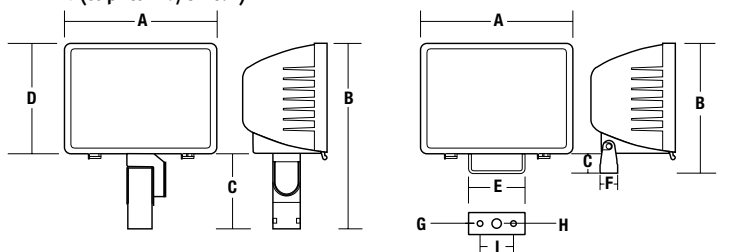
ACCESSORIES - Order Separately

Catalog Number	Description
<b>LFM-SPC</b>	Polycarbonate shield
<b>LFM-AGS</b>	Glare shield - black
<b>LFM-GP</b>	Ground post - black
<b>PBT-1</b>	Button photocontrol 120V
<b>PBT-234</b>	Button photocontrol 208, 240, 277V
<b>4024C</b>	2 3/8" O.D. slipfitter for yoke units - bronze
<b>TWK-11</b>	Wall bracket with 2 3/8" O.D. tenon - bronze
<b>4040</b>	Steel angle bracket for LFM-Y, bronze
<b>4041</b>	Steel angle bracket with 2 3/8" O.D. tenon for LFM-K, bronze
<b>4090</b>	Heavy-duty cast iron crossarm fitting for horizontal trunnion, bronze Lektrocote®

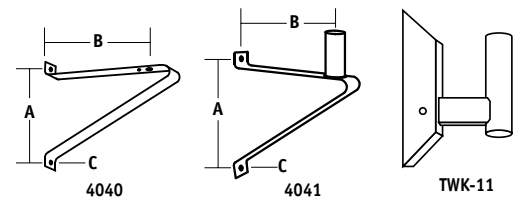


LFM-K (slipfits 2 7/8" O.D)

LFM-Y



	A	B	C	D	E	F	G	H	I
<b>LFM-K</b>	17.38"	21.06"	9.1"	12.5"	-	-	-	-	-
	441 mm	535 mm	231 mm	317 mm	-	-	-	-	-
<b>LFM-Y</b>	17.38"	14.7"	3"	12.5"	6"	2"	17/32"	7/8"	3 1/8"
	441 mm	373 mm	76 mm	317 mm	152 mm	51 mm	14 mm	22 mm	79 mm



A	B	C	D	E
8 1/4"	9 1/2"	1 1/16" dia	11"	8"
210 mm	241 mm	17.4 mm	279 mm	203 mm



Outdoor Lighting