

Laramie LFL

High Performance Large Area Floodlight

FLOODLIGHTING



The new LFL floodlight features both a wide, uniform, high efficiency beam from vertical lamps and three controlled beams with horizontal lamps. The large Laramie lets you put the light right where it is needed.

A decorative die-cast aluminum housing provides rugged, yet attractive protection to internal optical and electrical components. The styling creates yet another member of the Southwest Series family.

Mountings include heavy steel yoke or concealed wiring cast knuckle that slipfits 2 3/8" OD tenons or pipe.

Optical packages include a segmented, high performance reflector for vertical lamps producing a wide 7x6 uniform beam. Also featured are three controlled beams from an extruded reflector for horizontal lamps that control the vertical beam and increase the beam punch for lighting greater forward distances.

Wattages range from 320 to 1000 in choices of metal halide, pulse start metal halide, and HPS. See ordering information below. Listed to UL1598 for use in wet locations.

ORDERING INFORMATION

SERIES	MOUNT	WATTAGE/SOURCE	OPTIC	VOLTAGE	FINISH	OPTIONS
LFL Laramie Flood Large	Y ¹ Yoke Mount K Knuckle Mount for 2 3/8" tenon	METAL HALIDE 1000H ^{1,3} 1000w PULSE START METAL HALIDE 320P 320w 350P 350w 400P 400w 1000P ^{1,3} 1000w HIGH PRESSURE SODIUM 400S 400w 1000S ^{1,2,3} 1000w	VW Vertical wide HN Horizontal narrow HM Horizontal medium HW Horizontal wide	8 Quad - Tap [®] (120, 208, 240, 277V) 6 ⁴ Tri-Tap (120, 277, 347V) 5 480V	BZ Bronze BL Black GR Gray WH White PS Platinum	LP Lamp included PR(X) Photocontrol receptacle (replace X with voltage: 120, 208, 240, 277, 480, 347); Order PTL photocontrol separately F(X) Fusing (replace X with voltage: 120, 208, 240, 277, 480, 347) QST Time delay quartz

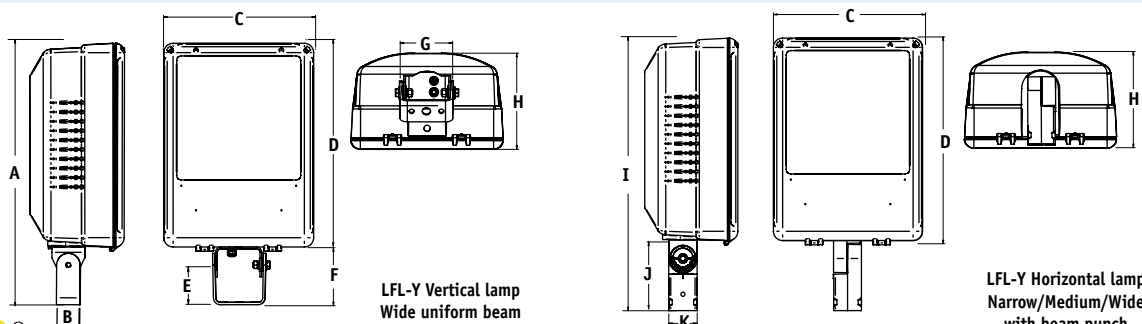
- 1000w fixtures with Yoke includes 3ft 16/350 cord
- VW optic only
- Must use ED-37 lamp size
- For 1000H or 1000P no Tri-Tap is available, order by specific voltage 120, 277 or 347V

ACCESSORIES - Order Separately

Catalog Number	Description
LFL-TVZ	Top visor, bronze finish
LFL-IL	Internal louver
LFL-SPC	Polycarbonate shield
4024C	Steel slipfitter for LFL-Y units - mounts over 2 3/8" O.D. slipfitter OD pipe or tenon, bronze finish
TWK-11	Steel wall bracket with 2 3/8" O.D. tenon, bronze finish, use with LFL-K units
4040	Heavy-duty steel wall/side wood pole bracket, bronze
4090	Heavy-duty cast iron crossarm adapter for horizontal yoke position, bronze finish

REPLACEMENT PART

Catalog Number	Description
93011071	Lens Only



EPA 2.7 Sq. Ft.
1000w MH 48lbs.
1000w HPS 56lbs.



Outdoor Lighting

A	B	C	D	E	F	G	H	I	J	K
27.90"	2.5"	16.0"	21.75"	4.2"	6.09"	5.5"	10.10"	29.28"	7.5"	3.0"
709 mm	64 mm	406 mm	552 mm	107 mm	155 mm	138 mm	256 mm	744 mm	191 mm	76 mm