

## SOFFIT LIGHT

**WARNING: DISCONNECT POWER BEFORE INSTALLING OR SERVICING.**

### INSTALLATION INSTRUCTIONS

READ INSTRUCTIONS CAREFULLY BEFORE INSTALLING OR SERVICING THIS LUMINAIRE. FAILURE TO COMPLY WITH INSTRUCTION COULD RESULT IN PERSONAL INJURY AND/OR PROPERTY DAMAGE! RETAIN INSTRUCTIONS FOR FUTURE USE.

1. CUT A 14.25" SQUARE HOLE IN SOFFIT BETWEEN STRUCTURAL MEMBERS. SEE FIG. 1.
  2. OPEN FIXTURE DOOR AND REMOVE LAMP.
  3. LOOSEN (4) CENTER REFLECTOR SCREWS (A) AND TAKE OUT CENTER REFLECTOR (B), SEE FIG. 2.
  4. REMOVE (4) WINGNUTS (C) AND MOUNTING BRACKETS (D). SEE FIG. 3.
  5. CONNECT SUPPLY LINE FITTING (BY OTHERS) TO WIREWAY HOLE OPENING ON TOP OF HOUSING.
  6. POSITION FIXTURE INSIDE SOFFIT. MAKE SURE RECTANGULAR OPENINGS, ON HOUSING, ARE AWAY FROM STRUCTURAL MEMBERS.
  7. INSERT MOUNTING BRACKETS (D) THROUGH THE RECTANGULAR HOLES AND SWING THE BRACKET'S THREADED STUD (E) INWARD, INTO ELONGATED SLOTS. SEE FIG. 4.
  8. CAPTURE MOUNTING BRACKET STUDS WITH WINGNUTS (C). MAKE CERTAIN BOTTOM OF MOUNTING BRACKET IS TIGHT AGAINST SOFFIT MATERIAL BY PULLING DOWN ON BRACKET BEFORE TIGHTENING SECURELY. SEE FIG. 4.
  9. PUSH THERMAL PROTECTOR INTO HOLE FROM INSIDE OF HOUSING TOWARDS THE OUTSIDE.
  10. WIRE FIXTURE IN ACCORDANCE TO LOCAL AND NATIONAL ELECTRICAL CODES.
- NOTE: RED WIRE OF THERMAL DETECTOR IS ALWAYS WIRED TO 120 VOLT BALLAST LEAD. BLUE WIRE IS CONNECTED TO BALLAST LEAD THAT MATCHES THE INCOMING SUPPLY VOLTAGE. BLACK WIRE IS CONNECTED TO SUPPLY HOT LEAD. WHITE TO COMMON LEAD.
11. REPLACE CENTER REFLECTOR (B) AND SECURE REFLECTOR SCREWS (A).
  12. UNWRAP LAMP AND INSTALL IN SOCKET.
  13. CLOSE FIXTURE DOOR. TIGHTEN SCREW SECURELY.

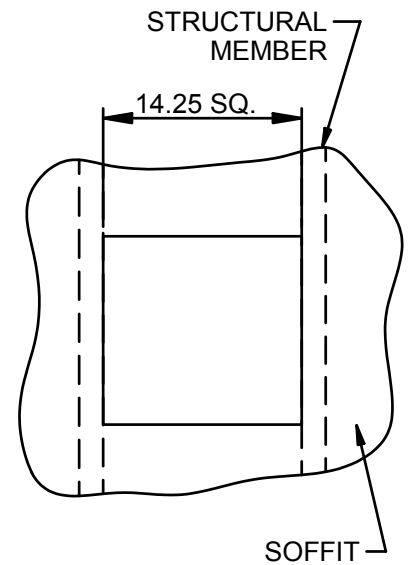


FIG. 1

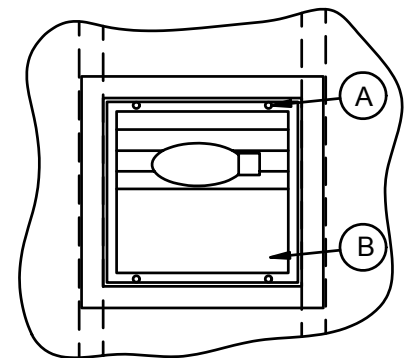


FIG. 2

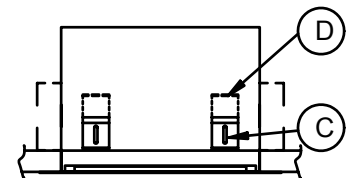


FIG. 3

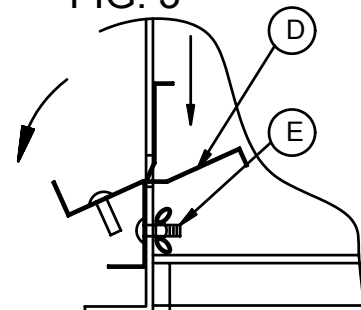


FIG. 4

### GENERAL SAFETY INFORMATION

1. ALL WIRING SHOULD BE PERFORMED BY A QUALIFIED ELECTRICIAN.
2. MAKE CERTAIN THAT POWER SOURCE CONFORMS TO THE REQUIREMENTS OF THIS FIXTURE.
3. DISCONNECT POWER BEFORE INSTALLING OR SERVICING.
4. DO NOT OPEN THE FIXTURE WHEN LAMP IS ON. TURN FIXTURE OFF AND ALLOW PLENTY OF TIME FOR LAMP AND FIXTURE TO COOL BEFORE SERVICING.
5. DO NOT OPERATE IN CLOSE PROXIMITY TO PERSONS, COMBUSTIBLE MATERIALS OR SUBSTANCES AFFECTED BY HEAT OR DRYING.
6. DO NOT INSTALL INSULATION WITHIN 3 INCHES OF FIXTURE SIDES OR WIRING COMPARTMENT NOR ABOVE FIXTURE IN SUCH A MANNER TO ENTRAP HEAT.