

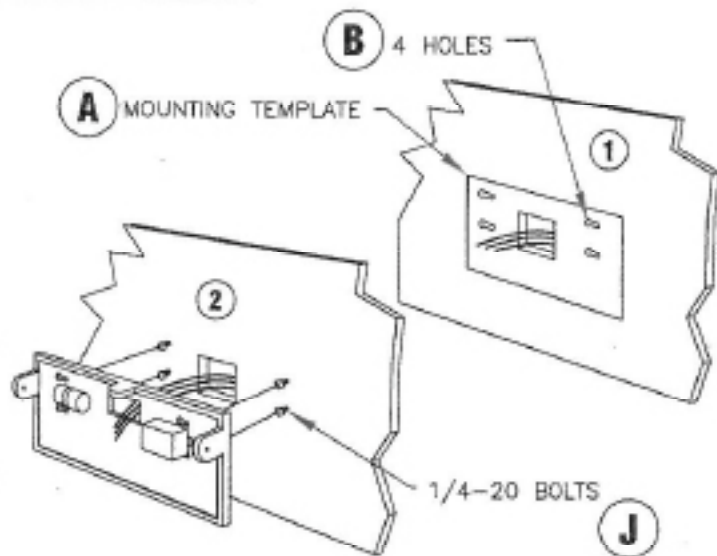
# INSTALLATION INSTRUCTIONS FOR MOUNTING SCOTTSDALE

## **WARNING: DISCONNECT POWER BEFORE INSTALLATION OR MAINTENANCE**

**READ INSTRUCTIONS CAREFULLY BEFORE ATTEMPTING TO INSTALL LUMINAIRE. FAILURE TO COMPLY WITH INSTRUCTIONS COULD RESULT IN PERSONAL INJURY AND/OR PROPERTY DAMAGE! RETAIN INSTRUCTIONS FOR FUTURE REFERENCE.**

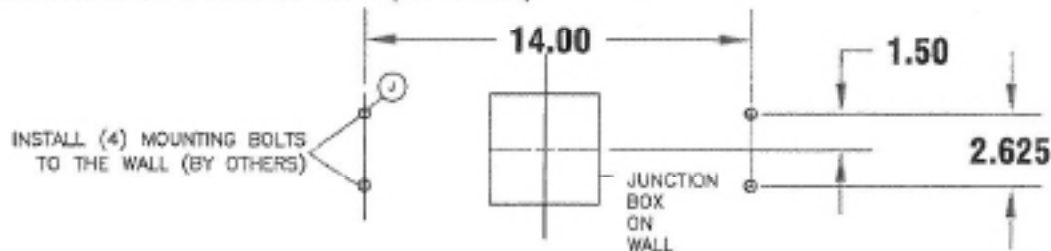
### GENERAL INFORMATION

1. ALL WORKMANSHIP AND MATERIALS USED TO MAKE A CONNECTION TO THE LUMINAIRE ARE TO BE IN ACCORDANCE WITH THE N.E.C., LOCAL CODES AND JOB SPECIFICATIONS.
2. THIS LUMINAIRE SHALL BE ADEQUATELY GROUNDED FOR YOUR PROTECTION AGAINST SHOCK HAZARD AND TO ASSURE PROPER OPERATION.
3. ALL WIRING SHOULD BE PERFORMED BY A QUALIFIED ELECTRICIAN.
4. MAKE CERTAIN THAT THE POWER SOURCE CONFORMS TO THE REQUIREMENTS OF THE LUMINAIRE. (CORRECT BALLAST VOLTAGE)
5. BEFORE INSTALLING OR SERVICING, DISCONNECT THE POWER. ALLOW PLENTY OF TIME FOR LAMP TO COOL OFF.
6. DO NOT OPERATE IN CLOSE PROXIMITY TO PERSONS, COMBUSTIBLE MATERIALS OR SUBSTANCES AFFECTED BY HEAT OR DRYING.
7. FAILURE TO FOLLOW THE ABOVE SAFETY INSTRUCTION COULD RESULT IN A FATAL SHOCK HAZARD.

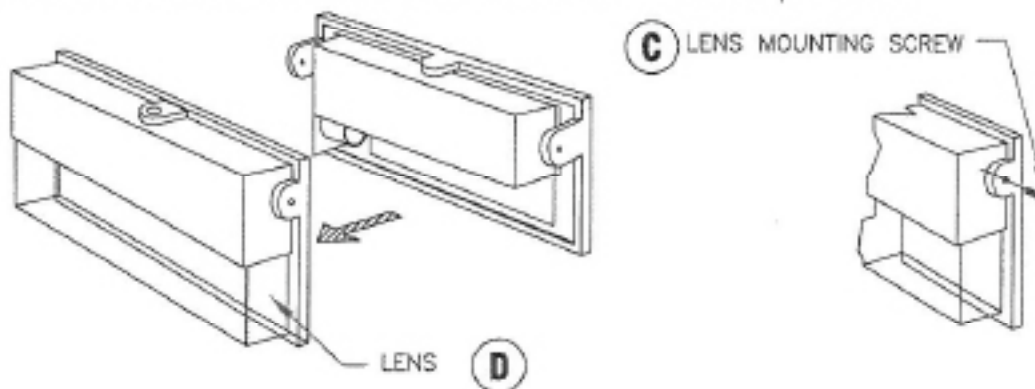


### INSTALLATION INSTRUCTIONS

1. PLACE TEMPLATE (A) AGAINST THE WALL OVER JUNCTION BOX (B). MARK (4) HOLES AT LOCATIONS FOR THE MOUNTING BOLTS (BUY OTHERS)

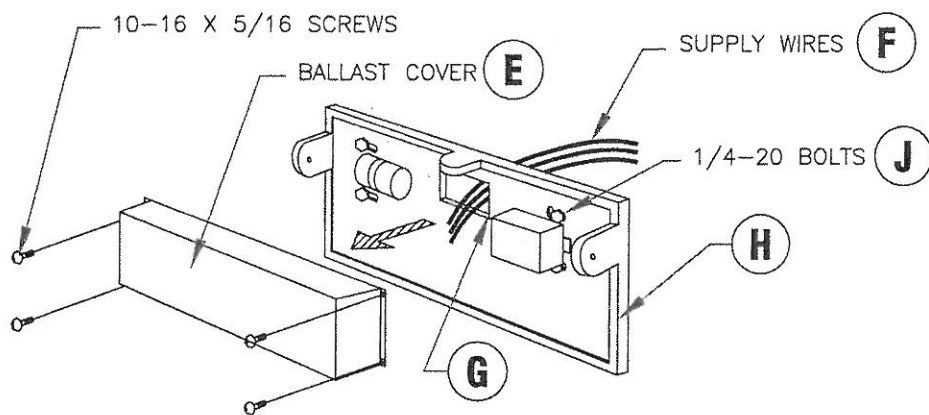


2. INSTALL THE PROPER RECOMMENDED MOUNTING HARDWARE TO THE WALL. USE 1/4-20 BOLTS.

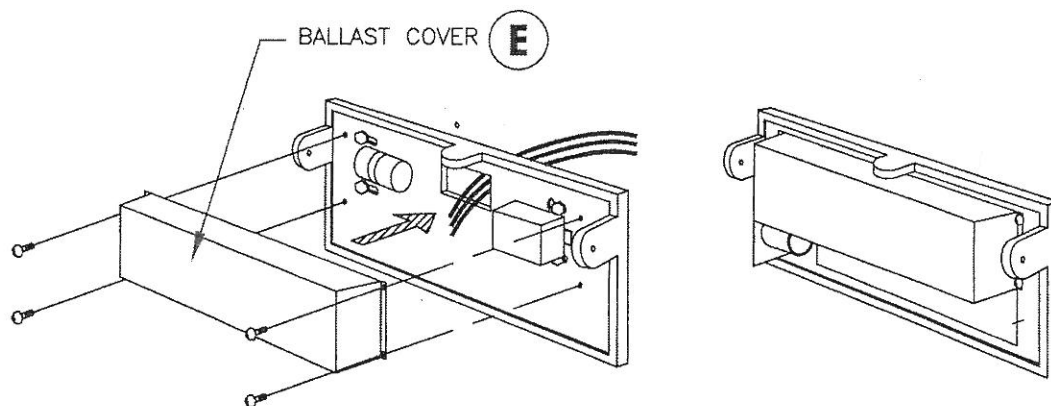


3. OPEN THE FIXTURE BY REMOVING (2) SCREWS (C) FROM THE SIDES OF LENS (D). REMOVE THE BALLAST COVER (E).

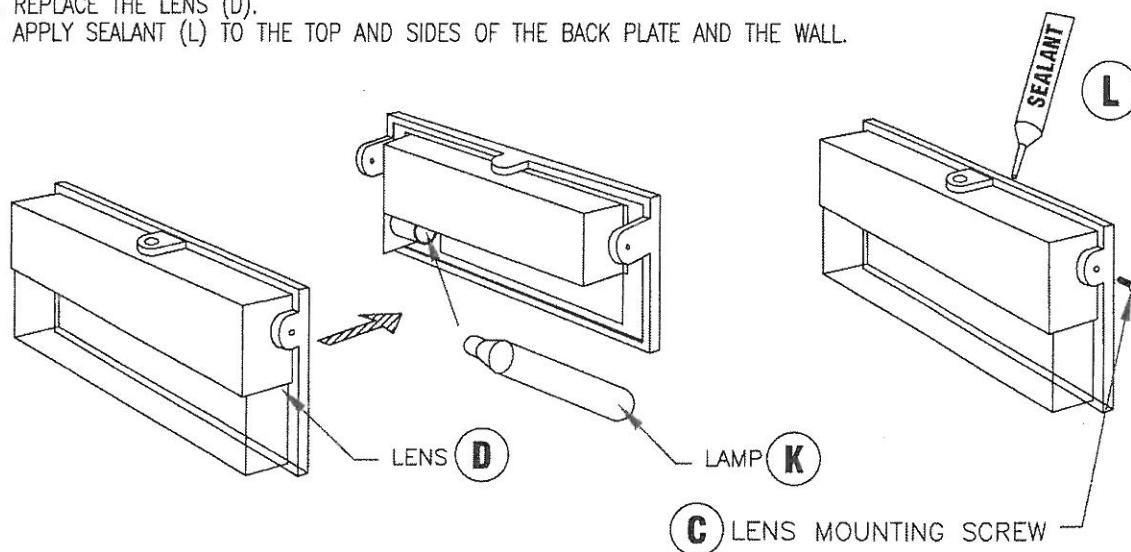
P.N. 93011901 - P.1



4. INSERT SUPPLY WIRES (F) THRU THE RECTANGULAR OPENING (G) OF THE BALLAST PLATE, THEN INSTALL THE PLATE (H) TO THE (4 MOUNTING BOLTS (J)). TIGHTEN SECURELY.
5. CONNECT THE WIRE IN ACCORDANCE WITH THE LOCAL AND NATIONAL ELECTRICAL CODES.
6. REPLACE THE BALLAST COVER (E), INSTALL LAMP (K).



7. REPLACE THE LENS (D).
8. APPLY SEALANT (L) TO THE TOP AND SIDES OF THE BACK PLATE AND THE WALL.



P.N. 93011901 - P.2