


## SAVE THESE INSTRUCTIONS



## INSTALLATION INSTRUCTIONS RM - SERIES

READ THOROUGHLY BEFORE INSTALLING

**WARNING!** LUMINAIRES require high current and voltage. HID LAMPS used in luminaires generate intense light and high temperatures. HID LAMPS may emit UV and IR radiation. LAMPS may contain MERCURY (Hg), LEAD (Pb) and other potentially dangerous and/or toxic materials. If lamp is marked  it contains mercury and is subject to disposal laws. See [www.lamprecycle.org](http://www.lamprecycle.org). HID LAMPS may rupture unexpectedly.

**WARNING!** Fixtures must be grounded and installed in accordance with the National Electrical Code and all local codes. Failure to do so may increase the **RISK OF PERSONAL INJURY, PROPERTY DAMAGE, FIRE AND DEATH**. Install and use so lamp and control gear burnouts do not cause a hazard and use only in environments for which the product is specifically marked.

**WARNING!** This product contains chemicals known to the State of California to cause cancer, birth defects, and/or other reproductive harm. Thoroughly wash hands after installing, handling, cleaning, or otherwise touching this product.

**CAUTION!** Follow ALL luminaire and lamp manufacturer's recommendations, product markings, instructions, restrictions and warnings regarding luminaire and lamp operation, burning position, cycling and lamp replacement. Luminaire label shows electrical, environmental and lamp requirements. **STOP USING WHEN LAMP FAILS**. Continued operation will result in control gear damage and possible nuisance smoke.

All electrical work must be done by a qualified electrician. Turn off electric power to all affected circuits and allow to cool before servicing.

A regularly scheduled maintenance program should be established to retain optimum light output and reduce heat retention. Dusting with a soft, clean, dry cloth is normally sufficient for the reflector. Any accumulation of dust or dirt should be removed regularly from both sides of the lens during relamping. Use only a mild soapy solution, DO NOT use alkaline or acid cleaners on reflector surfaces.

Carefully read these instructions before installing product. If you do not understand these instructions, before starting any work, contact your Hubbell Lighting distributor or [techsupport@hubbell-ltg.com](mailto:techsupport@hubbell-ltg.com) or (864) 678-1000. Give instructions to facility owner/manager for future reference.

### NOTE:

This luminaire is designed for outdoor lighting applications and should not be used in areas of high ambient temperature enclosures or limited ventilation.

### WARNINGS:

Dangerous voltage exist within the unit and all precautions usually observed in handling high voltage equipment should be observed when replacing lamp or otherwise servicing luminaires. Disregarding this warning could result in electrical shock and possible injury to the individual installing or servicing this equipment. Installation and servicing should be done by qualified personnel.

Read lamp manufacturer's warning notice on lamp carton before handling or installing. Do not install a damaged lamp. Make certain power is off before starting installation or performing any maintenance.

Glass must be protected from surface chips and scratches. Even minor surface damage will reduce the breakage resistance to a fraction of its initial strength.

# INSTALLATION INSTRUCTIONS - ROADWAY INDUCTION (RMCD 85I)

## SAVE THESE INSTRUCTIONS

### I. REMOVAL OF POWER/ACCESS DOOR:

- Unit may be supplied with one or both of the power/access door fastening methods listed below:
  - Self-captivating screw: Loosen screw until threads are fully disengaged.
  - Spring-loaded latch: Pull latch forward until door swings free.

NOTE: Always keep support under power/access door to ensure against damage to fixture or personal injury.
- For power door removal, lower the door to a vertical position and disengage the polarized disconnect plug connecting the upper housing wiring to the power door wiring center.
- Rotate power/access door to approximately 45 degrees from vertical to the pole end of fixture. Door will now easily lift from hinge seats

### II. INSERTION OF MAST ARM

- This luminaire will accommodate mounting on either a 1 1/4" or 2" mast arm. Mounting is as follows:
  - 1 1/4" mast arm: Remove the four 3/8" bolts securing the fitter clamps. Turn fitter clamps over and reinstall four 3/8" bolts. Insert mast arm through birdshield and fitter clamps until arm hits stop on housing.
  - 2" mast arm: Detach the knockout in the birdshield to provide a larger opening. Insert mast arm through birdshield and fitter clamps until arm hits stop on housing.

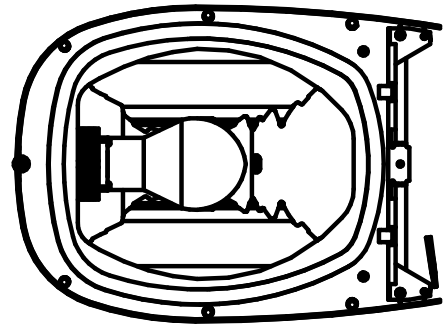
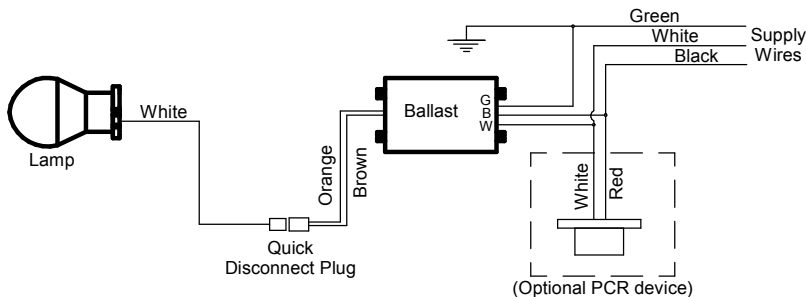
### III. LEVELING

The luminaire is supplied with four leveling pads on top of the unit for a  $\pm 5^\circ$  horizontal adjustment with respect to the mast arm. Adjustments are made as follows:

- Hold the luminaire approximately level and tighten the four 3/8" slipfitter bolts.
  - If more upward tilt is required, loosen the two forward bolts slightly and tighten the two rear bolts.
  - If more downward tilt is required, loosen the two rear bolts slightly and tighten the two forward bolts.
- After leveling, tighten all four bolts to 18-20 foot-pounds (ft-lbs).

### IV. WIRING (figure 1)

NOTE: This induction unit is supplied with an electronic ballast having universal voltage adaptability and can accept input voltage within the range of 120V - 277V only.



### V. LAMP INSTALLATION (figure 2)

Lamp installs against the heat sink plate set with (4) screws and nut fasteners mounted to the reflector side wall as shown.

### VI. PHOTOELECTRIC CONTROL (Optional)

If photoelectric control is used, the device must be oriented toward the true north direction. This may be done as follows:

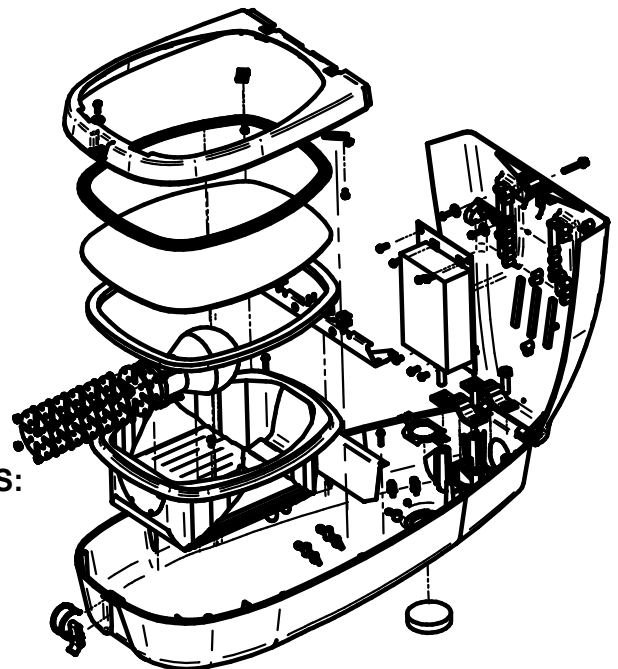
- Insert a screwdriver into slot on top of the photocontrol receptacle and rotate until arrow points to true North.
- Install photoelectric control by inserting into photocontrol receptacle and rotating clockwise to lock into position.

### VII. MAINTENANCE - CLEANING OPTICAL ASSEMBLY

Disconnect power prior to accessing optical compartment. Carefully remove lamp prior to cleaning. Use a neutral (pH approximately 6 to 8), non-abrasive cleaning solution which contains no chlorinated or aromatic hydrocarbons. Wash optical assembly thoroughly using a soft cloth or brush, rinse in clean water and wipe dry.

### VIII. ROADWAY INDUCTION SERVICE & REPLACEMENT PARTS:

LAMP:	93033214	LAMP-INDUCTION 85W 5000K
BALLAST:	93033215	BALLAST-INDUCTION 85W
HEATSINK:	93033209	HEATSINK-LAMP INDUCTION 85W RM
GLASS LENS:	264 0269 9902	FLAT TEMPERED GLASS RM



Contact your local distributor or agent to confirm parts availability prior to ordering replacement parts.