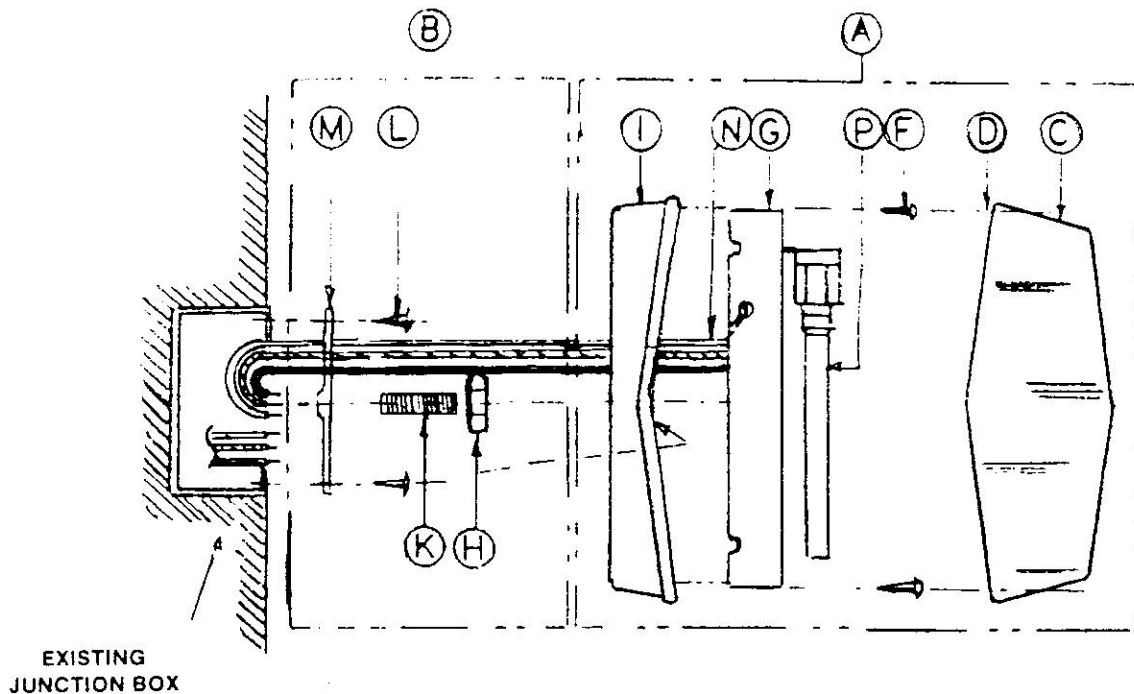


INSTALLATION INSTRUCTIONS FOR NRG-80X SERIES



The box should contain (1) fixture (A) and (1) mounting hardware kit (B).

For Wall or Ceiling Mount:

STEPS: Power Off.

1. Open fixture.
2. Remove the tape and set aside lamp (P).
3. Remove reflector assembly (G) by removing (2) screws (F).
4. Install hickey (M) to the junction box using (2) screws (L), then pull the supply wires out of the junction box.
5. Feed fixture wires (N) through kidney-shape slot in housing.
6. Connect the wires in accordance with the local and N.E.C. Code. Insert the wires and connections back into the junction box.
7. Thread the nipple (K) halfway through hickey (M).
8. Retain the housing (I) to the nipple (K) by tightening the hex nut (H).
9. Replace the reflector assembly (G) on housing (I) and retain with (2) screws (F).
10. Install the lamp (P) to the socket.
11. Place refractor (C) on housing and tighten (2) screws (D).

NOTE:

The lamp manufacturer states that the 7-watt fluorescent lamp, furnished with the NRG-805, and the 13-watt fluorescent lamp, furnished with the NRG-806, may not provide reliable starting below 0°F and 25°F, respectively.



Hubbell Lighting, Inc.
A Subsidiary of Hubbell Incorporated
2000 Electric Way
Christiansburg, VA 24073-2500
(703) 382-6111
FAX (703) 382-1526

268-0388-9904
REV. H