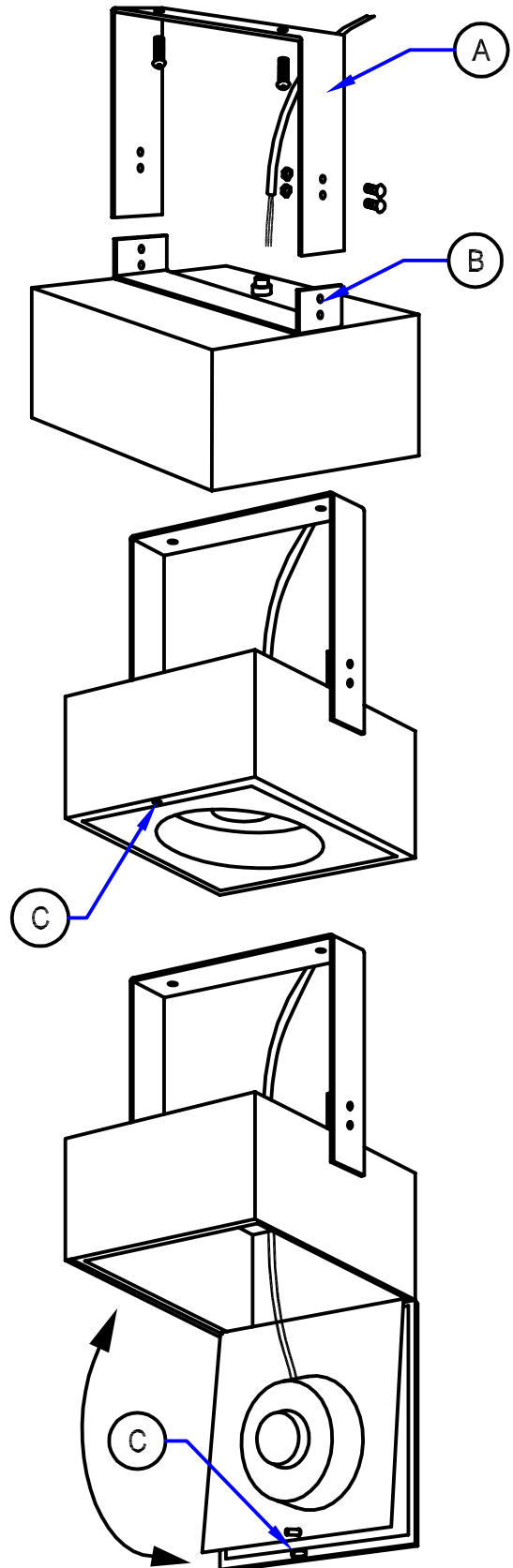


# NEWARK: INSTALLATION INSTRUCTIONS

## Trunnion Mounted Units

**WARNING: DISCONNECT POWER BEFORE INSTALLATION OR MAINTENANCE**

1. **Unpack fixture and inspect for any concealed shipping damage. If any is found contact carrier immediately.**
2. **Attach ceiling mount bracket (A) to the ceiling with hardware provided. It is shipped separately from fixture.**
3. **Attach ceiling mount bracket (B) to the housing with hardware provided.**
4. **Bring in conduit line(s) as needed and insert into housing.**
5. **Open door by loosening door screw (C).**
6. **Loosen reflector retaining screw and open reflector for access to ballast compartment.**
7. **Wire components to power source. Reference (1.) in General Information section.**
8. **Close and secure reflector in place.**
9. **Insert lamp into socket.**
10. **Close and secure door with door screws.**





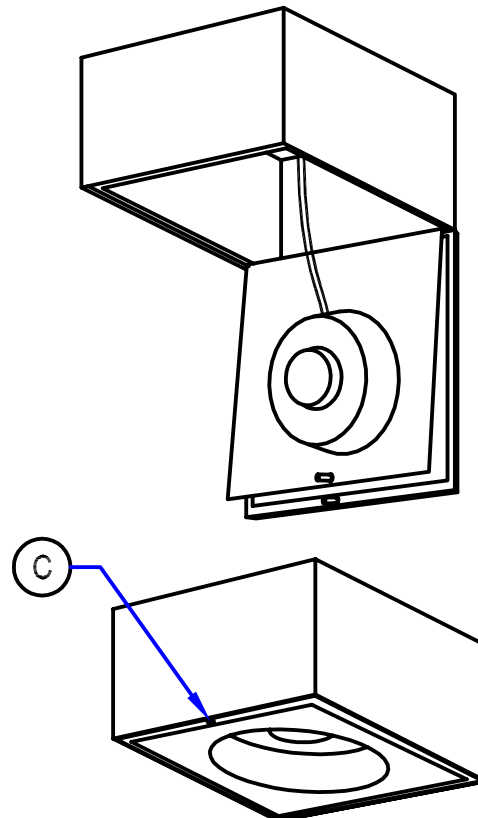
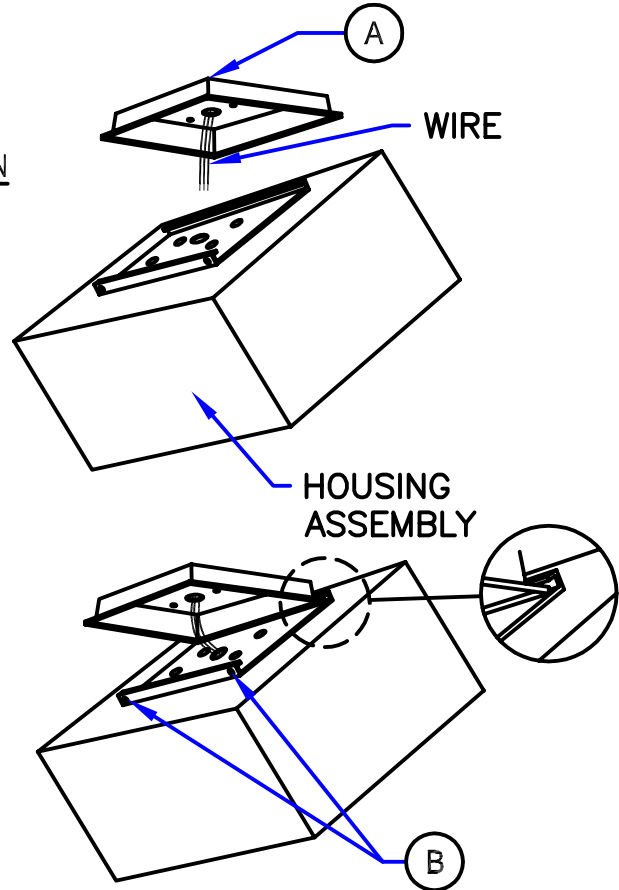
Outdoor Lighting

# NEWARK: INSTALLATION INSTRUCTIONS

## Direct Ceiling Mounted Units

**WARNING: DISCONNECT POWER BEFORE INSTALLATION OR MAINTENANCE**

1. **Unpack fixture and inspect for any concealed shipping damage. If any is found contact carrier immediately.**
2. **Mount the top mount casting (A) to the ceiling in the desired location with suitable fasteners, (provided by others).**
3. **Bring in conduit line(s) as needed and insert into housing.**
4. **Hook fixture onto top mount casting as shown and secure with set screws (B) provided.**
5. **Open door by loosening door screw (C).**
6. **Loosen reflector retaining screw and open reflector for access to ballast compartment.**
7. **Wire components to power source. Reference (1.) in General Information section.**
8. **Close and secure reflector in place.**
9. **Insert lamp into socket.**
10. **Close and secure door with door screws.**



Hubbell Lighting, Inc.