

LARAMIE 1000 (LFL) INSTALLATION INSTRUCTIONS



SEE WARNING ON CARTON

WARNINGS:

- This product contains chemicals known to the state of California to cause cancer, birth defects and/or other reproductive harm. Thoroughly wash hands after installing, handling, cleaning, or otherwise touching this product.
- Read and follow the lamp manufacturer's warning and use information before installing or relamping this light fixture.
- Disconnect power before installing or servicing.
- The product must be installed in accordance with the applicable installation code by a person familiar with the construction and operation of the product and the hazards involved.
- Protect all wiring connections with approved insulators rated 600V, 150°C.
- Selected fixture voltage must match supply line voltage.

MOUNTING YOKE MODEL (LFL-Y) See Fig. 1:

1. Use a minimum of two 3/8" diameter bolts or one 3/4" diameter bolt for mounting.
2. Securely tighten all retaining hardware to mount fixture after aiming.

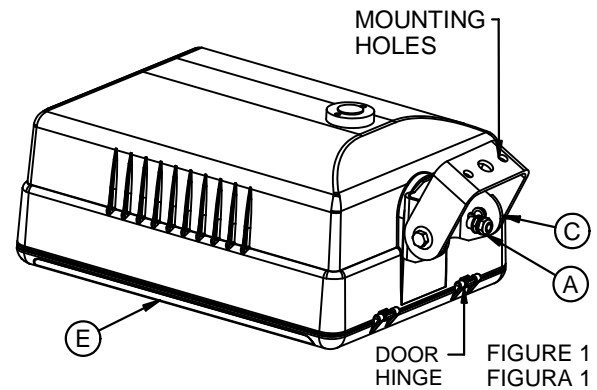


FIGURE 1
FIGURA 1

WIRING YOKE MODEL FIXTURES (LFL-Y) See Fig. 2 & 3:

1. Supply cord is to be as shown in Figure 2 and is rated for minimum 90°C 16/3 SOW-A.
2. If not installed, assemble strain relief (A) to cord (B) as shown. Engage strain relief (A) to yoke bracket (C). Insert the wires into the housing and Tighten compression cap (D) to secure cord.
3. Open the lens frame (E) and remove (2) screws (T) and ballast cover (U) to expose the electrical components.
4. Make wiring connections between wire cover (F) and housing.

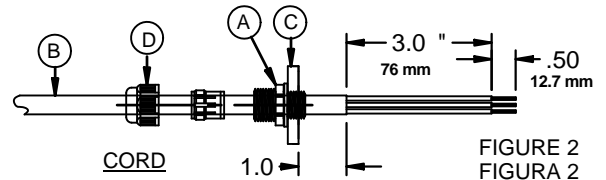


FIGURE 2
FIGURA 2

TO CHANGE LINE VOLTAGE ON QUAD TAP BALLAST (120V THRU 277V)

5. Locate "ballast tap lead" marked "277 volt" and the black "line" lead. Disconnect line lead from 277 volt and connect to the desired ballast voltage tap lead. Place wirenut removed from the desired voltage tap lead on the 277 volt lead.
6. Replace ballast cover (U) & (2) screws (T), install lamp, and close the lens frame.
7. Close lens frame and tighten screws.

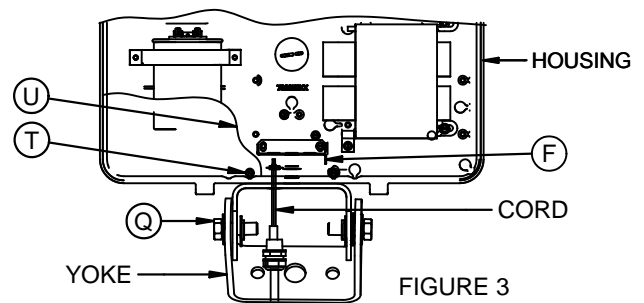


FIGURE 3
FIGURA 3

AIMING YOKE MODEL (LFL-Y) See Fig. 3 & 5:

1. Make vertical aiming adjustments by loosening bolt (Q) and rotating Yoke. Maximum downward aiming is 60° below horizontal aim. Maximum upward aiming is 80° above horizontal aim. See figure 5.

MOUNTING AND WIRING KNUCKLE MODEL FIXTURES (LFL-K)

See Fig. 4:

1. Insert set-screws (O) in the (4) tapped holes.
2. Remove (2) screws (S) and wire cover (G).
3. Place assembly on pole or bracket with tenon and orient luminaire to desired position.
4. Tighten (4) set-screws (O) to secure fitter to tenon.
5. Drill a 13/32" diameter hole through tenon at holes (J).
6. Remove assembly and pull line leads (L) out of the tenon allowing 8" free wires. Use minimum 90°C wire.
7. Place assembly back on tenon while guiding wire leads through wire hole (R).
8. Tighten set-screws (O) and install through bolt (H), lock washer (K) and nut (M). Adjust set-screws (O) as needed for leveling.

CAUTION: ALWAYS SUPPORT THE FIXTURE HOUSING BEFORE ATTEMPTING TO LOOSEN BOLT (P) TO AIM FIXTURE.

9. Make vertical aiming adjustments by loosening bolt (P) and rotating knuckle (N). Tighten bolt securely. Maximum downward aiming is 60° below horizontal aim. Maximum upward aiming is 80° above horizontal aim. See figure 5.
10. Make wiring connections according to the local and National Electrical Codes.
11. Bundle the wires and wrap electrical tape around to secure.
12. Replace wire cover (G).

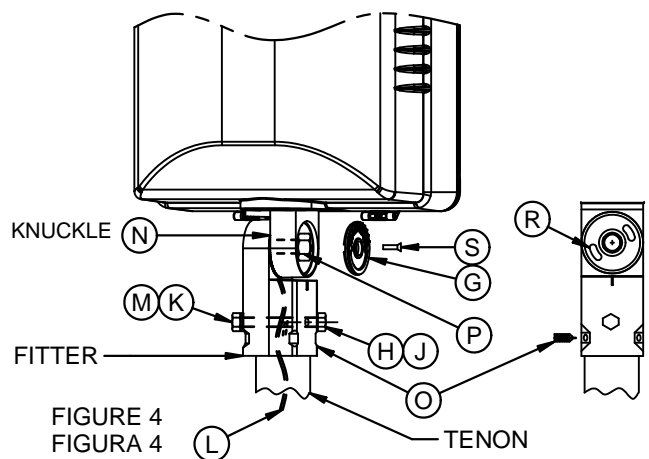


FIGURE 4
FIGURA 4

ADJUSTING TWISTLOCK PHOTOCONTROL RECEPTACLE (See Fig. 6)

1. Loosen two screws (V) but do not remove.
2. Rotate receptacle pointing arrow towards north.
3. Tighten back the (2) screws (V).

NOTES: LUMINAIRE WILL NOT OPERATE WITHOUT SHORTING CAP OR PHOTOCONTROL SWITCH INSTALLED. DO NOT LEAVE RECEPTACLE UNCOVERED TO THE ELEMENTS.

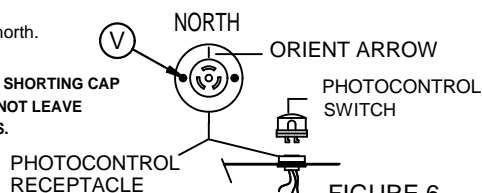


FIGURE 6
FIGURA 6

FOR PROPER DRAINAGE OF FIXTURE (See Fig. 5)

1. For aimed down fixtures, remove drain screw close to door hinge.
2. For aimed up fixtures, remove drain screw on top of housing.

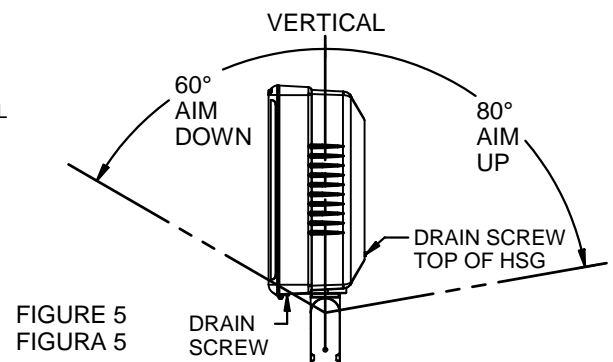


FIGURE 5
FIGURA 5



Hubbell Lighting, Inc.
A subsidiary of Hubbell Incorporated
701 Millennium Drive • Greenville, SC 29607

Doc. No. 93022223
Revision B
Phone (864) 678-1000