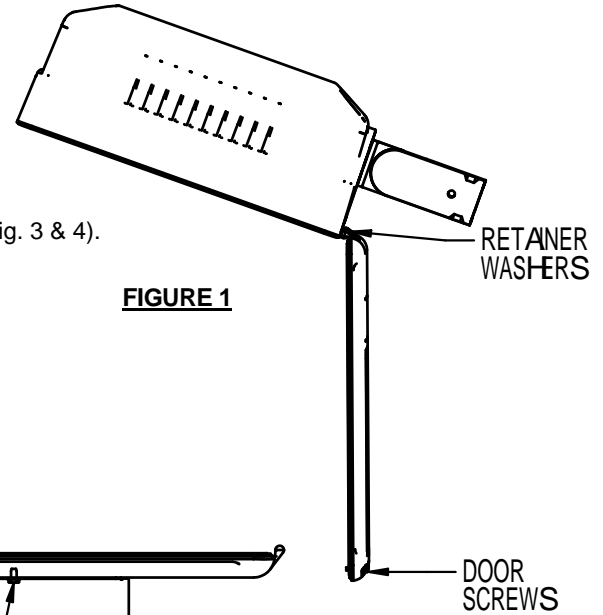


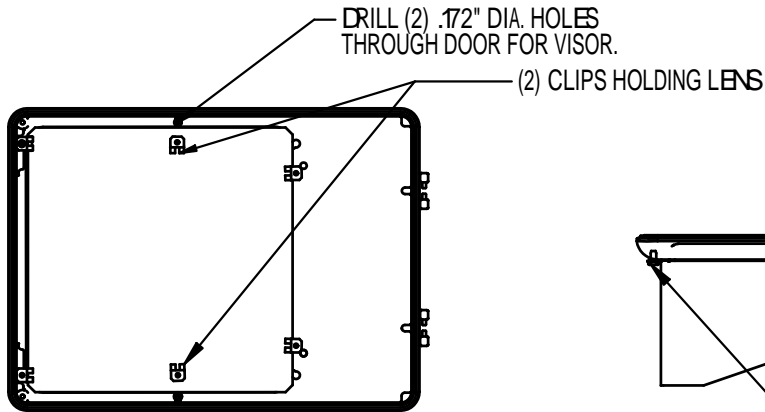
# INSTALLATION INSTRUCTIONS FOR LARAMIE LFL EXTERNAL ACCESSORIES

## PREPARING DOOR FOR TOP VISOR (LFL-TVZ)

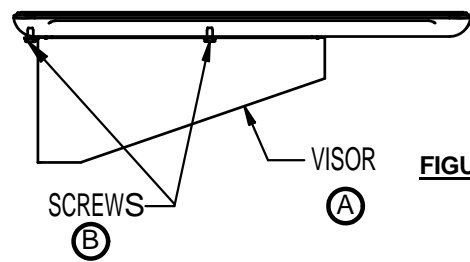
1. Open Door. Loosen (2) Door Screws and swing Door out (See Fig. 1).
2. Remove (2) Retaining Washers and Remove Door.
3. Remove (2) Screws and (2) Clips in middle of door that retain the Lens (See Fig. 2).
4. Drill (2) .172" diameter holes through door using the cored holes in the casting.
5. Turn door over and drill (2) .172 diameter holes through door using drill points (See Fig. 3 & 4).
6. Replace (2) Screws and (2) Clips that retain the Lens.
7. Mount Visor (A) with (4) screws (B),



**FIGURE 1**

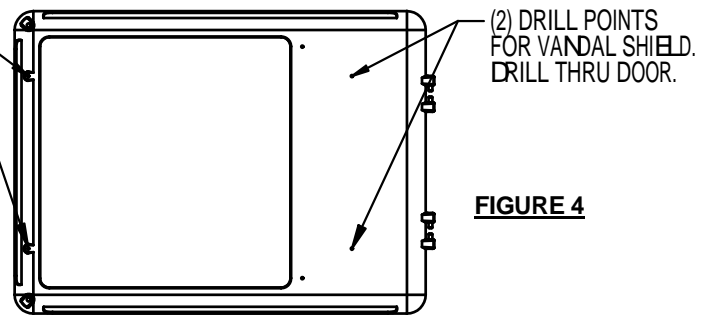


**FIGURE 2**



**FIGURE 3**

(2) DRILL POINTS FOR VISOR  
AND FOR VANDAL SHIELD.  
DRILL THROUGH DOOR.

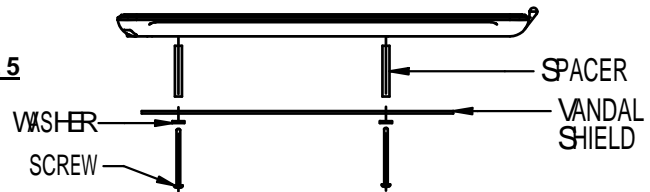


**FIGURE 4**

## POLYCARBONATE VANDAL SHIELD (LFL-SPC)

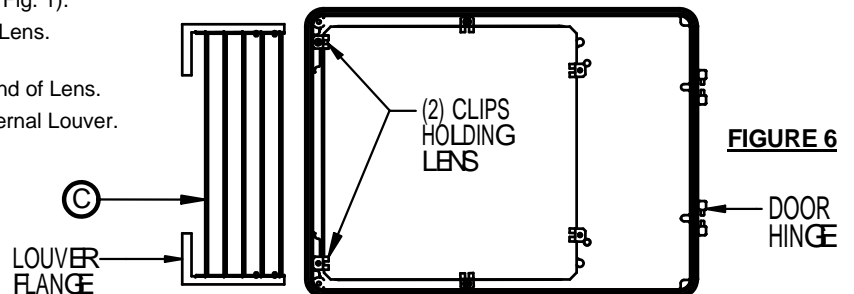
1. The Vandal Shield Kit contains the following:
  - (4) Spacers
  - (4) Washers
  - (4) Screws
  - (1) Vandal Shield
2. Remove contact paper from Vandal Shield.
3. Mount Vandal shield to the Door with Spacers, Washers, and Screws as shown in Fig. 5.

**FIGURE 5**



## PREPARING DOOR FOR INTERNAL LOUVER (LFL- IL)

1. Open Door. Loosen (2) Door Screws and swing Door out (See Fig. 1).
2. Remove (2) Screws and (2) Clips at end of door that retain the Lens (See Fig. 6).
3. Place Internal Louver (C) on top of lens with Louver flange at end of Lens.
4. Replace (2) Screws and (2) Clips to retain the Lens and the Internal Louver.
5. Close Door and tighten Door Screws.



**FIGURE 6**



Hubbell Lighting, Inc.  
A subsidiary of Hubbell Incorporated  
701 Millennium Drive • Greenville, SC 29607

Doc. No. 93023606  
Revision -  
Phone (864) 678-1000