

INSTALLATION INSTRUCTIONS FOR LARAMIE

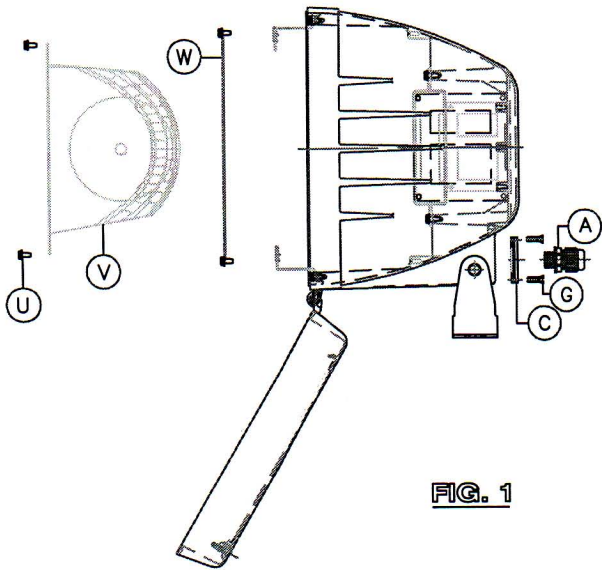


FIG. 1

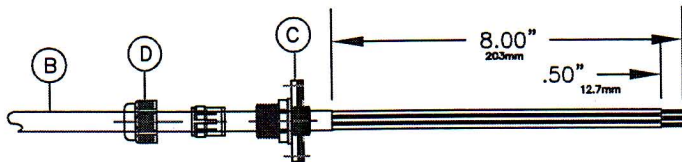
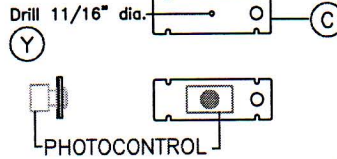
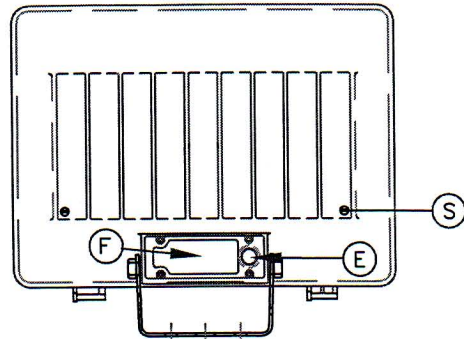


FIG. 2 CORD

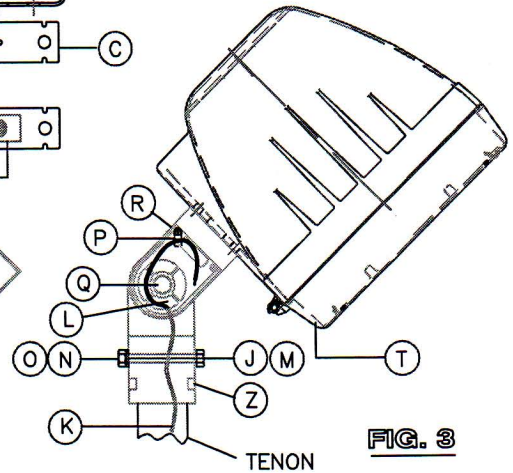


FIG. 3

WARNINGS:

- * Disconnect power before installation or servicing.
- * Install, operate, and maintain to meet all applicable code.
- * Labeled ballast voltage must match supply voltage.
- * Protect all wiring connections with approved insulators.
- * Ensure fixture and wiring are properly grounded.

MOUNTING YOKE MODEL (LFM-Y) See Fig. 1

1. Use a minimum of two 3/8" diameter bolts or one 3/4" diameter bolt for mounting.
2. Securely tighten all retaining hardware after aiming.

WIRING YOKE MODEL FIXTURES (LFM-Y)

1. Prepare supply cord as shown in figure 2. Cord must be rated for minimum 90° C 16/3 SOW-A.
2. Install strain relief (A) to cord (B) as shown. See Fig. 2. Engage strain relief (A) to cover (C). Tighten to ensure gasket seal is in contact with cover (C). Then tighten compression cap (D) to secure cord.
3. Insert supply cord (B) to housing hole (E) then pull end of cord back out through opening (F).
4. Make wiring connections in accordance with the local and National Electrical Codes.

CAUTION: FIXTURE VOLTAGE MUST MATCH SUPPLY VOLTAGE.

5. Ensure that all unused leads are properly insulated.
6. Install cover (C) to housing using (4) screws (G) provided.

OPTIONAL PHOTOCONTROL (PBT SERIES) FIELD INSTALLATION: (LFM-Y) See Fig. 1.

1. Remove cover plate (C).
2. Drill a 11/16" diameter hole on drill point (Y).
3. Mount the photocontrol on the inside of the cover according to directions supplied with the photocontrol.
4. Replace cover plate (C) and tighten (4) screws (G).

MOUNTING AND WIRING KNUCKLE MODEL

FIXTURES (LFM-K) See Fig. 3

1. Insert set-screws (Z) in the (4) tapped holes.
2. Remove (2) screws (I) and wire way cover (H).
3. Place assembly on pole or bracket tenon, and orient luminaire in desired direction.
4. Tighten (4) set-screws (Z).
5. Drill 13/32" diameter hole through tenon at holes (J).
6. Remove assembly and pull line leads (K) out of the tenon allowing 8" free wire.
7. Place assembly back on tenon while guiding line leads through wire passage (L).
8. Tighten set-screws (Z) and install thru bolt (M), washer (N), and nut (O). Adjust set-screws (Z) as needed for leveling.
9. Loop and tie line leads through clamp (P) into a knot.
10. Make vertical aiming adjustments by loosening bolt (Q) and rotating knuckle (R). Tighten bolt to 45 Ft-Lbs.
11. Make wiring connections.
12. Replace cover (H) and screws (I).

FIXTURES NOT MARKED IP65:

- A. For up aimed fixtures - remove (2) drain hole screw plugs (S) at the rear of fixture.
- B. For down aimed fixtures - remove the (2) drain hole screw plugs (T) at the hinge side front of door frame.

FIXTURES MARKED IP65:

If the fixture IS marked IP65 DO NOT remove any of the screw drain plugs (S) or (T).

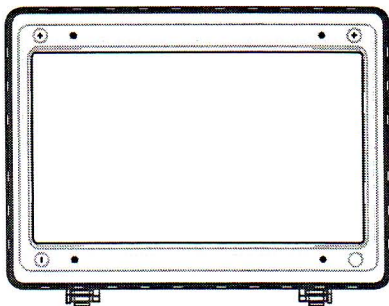
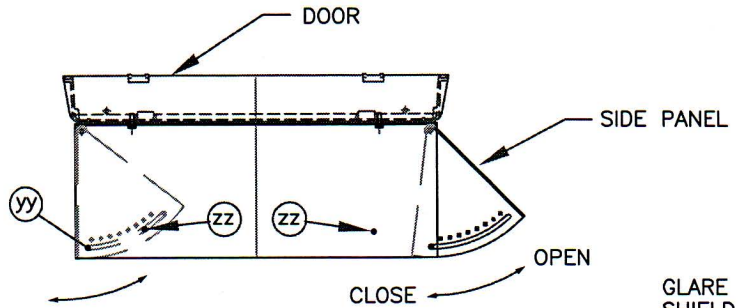
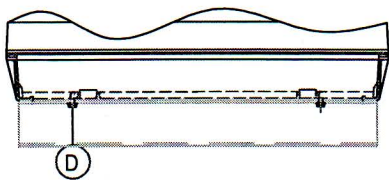
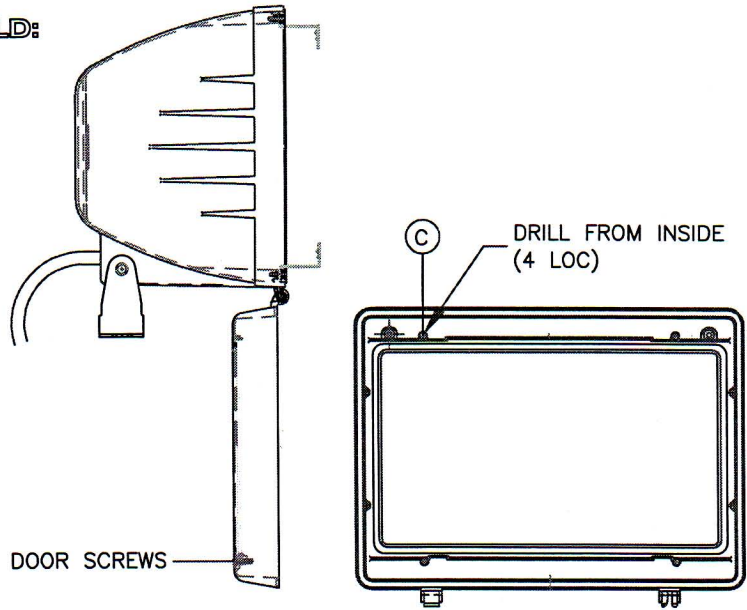
SERVICING ELECTRICAL COMPONENTS:

1. Turn off power.
2. Open the lens door and remove lamp.
3. Remove reflector screws (U) and take out reflector (V).
4. Remove heat shield (W) if present to gain access to the electrical components.

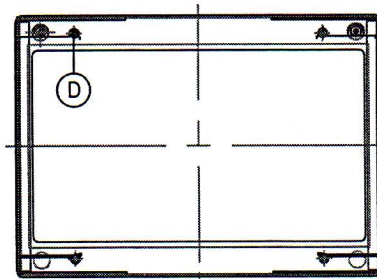
INSTALLATION INSTRUCTIONS FOR LARAMIE EXTERNAL ACCESSORIES

MOUNTING VANDAL SHIELD AND GLARE SHIELD:

1. Loosen (2) door screws and open door.
2. Remove (4) screws, (4) lens clips and lens.
3. Using the cored holes on each (4) bosses (C), drill .174" diameter holes through the doorframe.
4. Place accessory in front of doorframe and align mounting holes.
5. Attach lens clips, lens and accessory using supplied screws (D) and nuts (E). Tighten securely.
6. Replace door.
7. The glare shield may be adjusted side-to-side by loosening screws (yy), adjust the side panel outward to desired opening then retighten screws (yy).
8. If further inward adjustment is required, removed screws (yy), rotate side visor(s) to the desired position then re-fasten screws (yy) to holes (zz).



VANDAL SHIELD



GLARE SHIELD

