

Installation Instructions

Series: 120V 208V 240V 277V □
Series: Small Well Light RU70P8



WARNING: THIS PRODUCT CONTAINS CHEMICALS KNOWN TO THE STATE OF CALIFORNIA TO CAUSE CANCER, BIRTH DEFECTS, AND/OR OTHER REPRODUCTIVE HARM. THOROUGHLY WASH HANDS AFTER INSTALLING, HANDLING, CLEANING OR OTHERWISE TOUCHING THIS PRODUCT.

▼ Start Here

First find a clear area in which to work and read through all the instructions provided with this fixture prior to assembly.

WARNING: Composite luminaire must be installed and grounded in accordance with the National Electrical Code (NEC) and local codes. For portable stake or surface mount using a cord and plug, the luminaire must be plugged into a receptacle protected by ground fault circuit interrupter (GFI). Failure to do so may result in serious injury and/ or damage to the luminaire.

MAINTENANCE: To assure proper operation and efficiency and to prevent luminaire overheating, lens must be kept clean and free of dirt, leaves, trash and mineral deposits from water. A regular schedule maintenance program is recommended.

SAFETY WARNING: Luminaire can become very hot depending on the lamp wattage used. Lens and housing around the lamp can become hot enough to blister hands. Particular care should be taken not to locate luminaires where small children can reach them if high wattage lamps are used.

NOTE: Always use UL recognized wire connectors for connections

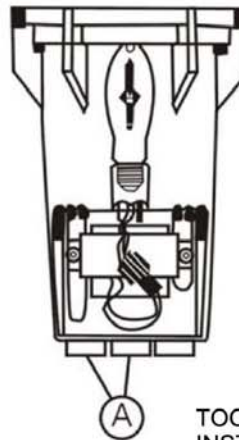
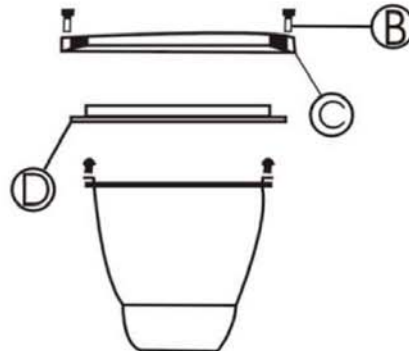
NOTE: Save these instructions for future reference.

Proceed with the mounting instructions located on the back of this sheet to continue installation of this fixture.

LAMP INSTALLATION REPLACEMENT:

CAUTION: Do not exceed maximum wattage marked on luminaire label.

1. To prevent electrical shock, disconnect from the electrical supply before servicing.
2. Loosen the cover screws (B) and remove cover (C).
3. Remove lens with gasket (D) assembly to expose lamp.
4. Replace lamp with correct wattage and type marked on fixture label.
5. Clean the gasket and gasket channel.
6. Re-install gasketed lens and cover, follow by tightening the screws evenly.



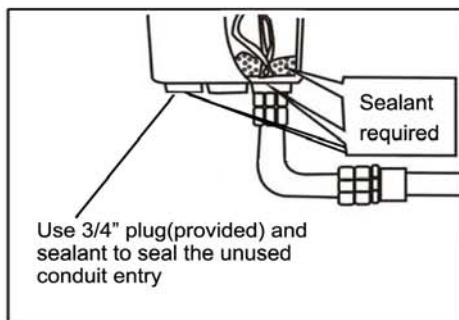
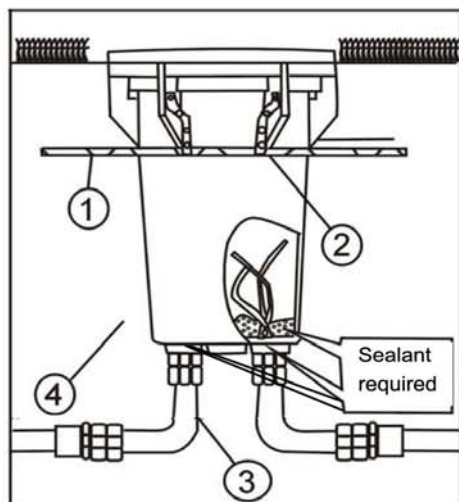
TOOLS REQUIRED FOR INSTALLION:

- Wire Strippers
- Phillips head screwdriver
- Silicone grease
- Thread sealant

Lamp information		
Catalog No.	Lamp Type	Max Watts
RU70P8	Metal Halide Medium Base	70

Mounting Instructions for RU70P8

Diagram 1

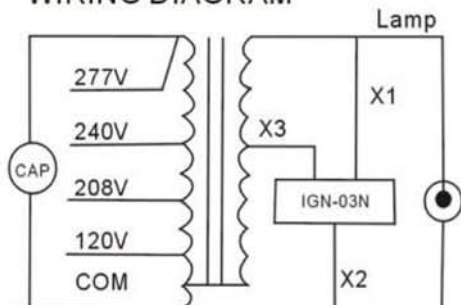


IMPORTANT SAFETY INSTRUCTIONS
THE LIGHTED LAMP IS HOT!!

WARNING TO REDUCE RISK OF FIRE OR INJURY TO PERSONS:

1. Turn off/unplug and allow to cool before replacing lamp.
2. Lamps get hot quickly! Contact only switch/plug when turning on.
3. Do not touch hot lens, guard or enclosure.
4. Keep lamp away from material that may burn.
5. Do not touch the lamp at any time. Use a soft cloth, Oil from the skin may damage lamp.
6. Do not operate luminaire fitting with a missing or damaged cover.

WIRING DIAGRAM



1. In-Grade Soil Installation:

Step 1. To prevent electrical shock, disconnect from the electrical supply before servicing.

Step 2. Dig hole approximately 16" deep by 15" diameter.

Step 3. Install conduit through 3/4" NPS holes (A) (NOTE: THERE ARE 2 PROVIDED WITH THIS LUMINAIRE). Use 3/4" plug (provided) and sealant to seal the unused conduit entry. Failure to do so will void the warranty.

NOTE: Housing rim must be flush to 1/8" above finish grade to prevent water from accumulating on lens.

NOTE: For a more secure installation, rebar bracing (1) is recommended, Drill a hole for a 1/4" bolt and nut in two of the stiffeners (2) located on the side of the luminaire. Attach perforated strap (plumber's tape) (by others), to the drilled holes with 1/4" nuts and bolts (by others), see Diagram 1.

NOTE: UL listed flexible conduit (3) is recommended for in and out connections to ease fixture position and adjustment during installation.

Step 4: Backfill after installation with pea gravel or sand (4) Do not backfill with bark or other flammable materials.

Step 5: Pull supply wires (line in), through conduit into luminaire wire compartment.

Step 6: Connect green ground wire from luminaire and green ground wire from the box to green supply wire.

NOTE: Conduit entry ways should be sealed to prevent water from entering the fixture through the conduit. The "O" ring in the parts bag should be added around the threads of the conduit fittings. A sealant should be used around the wires in the conduit, and around the threads of the conduit fittings. Failure to do so will void the warranty.

Step 7: Install lamp with correct wattage and type marked on the fixture label.

NOTE: Failure to remove all dirt and debris from the gasket sealing surface may cause leakage. Failure to do so will void the warranty.

Step 8: Replace silicone rubber gasket and cover and tighten screws (B) evenly

Step 9: Refer back to the front of this sheet to install lamp and complete installation of this fixture.

2. Concrete Pour Installation

Step 1: Fit concrete - guard plugs not provided over eight bosses with threaded inserts beneath the flange in order to prevent poured concrete from back filling threaded holes and hindering a secure tight seal of the lens cover.

Note: Failure to install concrete - guard plugs over bosses with threaded inserts will void product warranty.

Step 2: Follow instructions 1 and 2 of IN-Grade Soil installation instructions above.

Step 3: Support luminaire in selected position using standard masonry procedure.

Note: UL listed flexible conduit is recommended for in and out connections to ease fixture position and adjustment during installation.

When installing in concrete housing rim must be flush 1/8" above grade to promote water runoff.

Step 4: Pull supply wires (line in), through conduit into luminaire wire compartment.

Step 5: Connect green ground wire from luminaire and green ground wire from box to green supply wire.

Step 6: Pour concrete at least 2" thick.

Step 7: Please refer to the front of this sheet to install lamp and complete installation of this fixture.

