

INSTALLATION INSTRUCTION

Ceiling / Surface Squares

C9 / C12 Series

WARNING

DISCONNECT POWER DURING INSTALLATION AND BEFORE SERVICING.
READ ALL INSTRUCTIONS COMPLETELY BEFORE STARTING INSTALLATION.

SAFETY PRECAUTIONS

Before starting the installation, disconnect the power by turning off the circuit breaker. Turning the power off by using the light switch is not sufficient to prevent electrical shock.

Fixture is for outdoor use and should not be used in areas of limited ventilation or high-ambient temperature. All work should be done by a qualified electrician.

Fixture should be ceiling mounted or wall mounted. Fixture should be located at least 12" away from any combustible materials. Fixture should not be recessed.

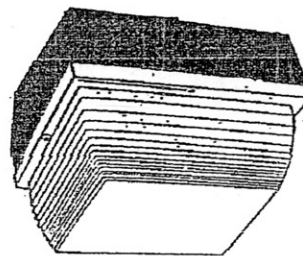
ASSEMBLY

Box Mounting:

1. Remove refractor and reflector assembly from fixture.
2. Remove closure plug in top (see mounting note below)
3. Connect fixture leads to supply leads with wire nuts.
4. Replace reflector assembly taking care not to pinch any wiring. Install lamp and reflector. Tighten screws until gasket seals.

Conduit Mounting:

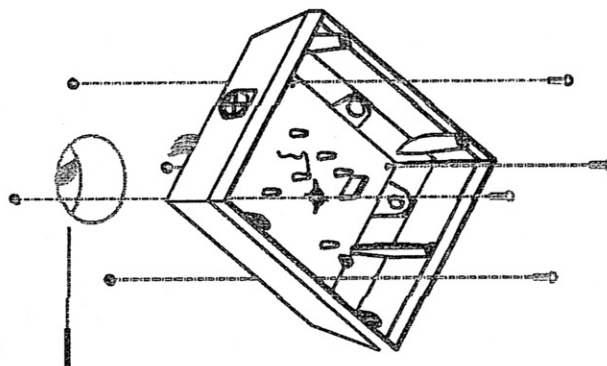
1. Remove refractor and reflector assembly from housing.
2. Remove closure plug(s) in housing for desired Conduit entrance (see mounting note below)
3. Connect fixture leads to supply leads with wire nuts.
4. Replace reflector assembly taking care not to pinch any wiring. Install lamp and reflector. Tighten screws until gasket seals.



12" x 12" or 9" x 9"

ELECTRICAL CONNECTIONS:

Make wiring connections by connecting white fixture wire to white Service wire. Connect proper ballast voltage lead to black service wire. Make sure that there are no loose wire strands sticking out of wire nuts. Connect the ground lead from the service by hooking it around the green grounding screw "I" between the screw head and the brass terminal washer. Tighten the screw securely.

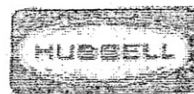


NOTE: It is recommended that fixture be attached securely by drilling through knockouts in back of fixture and attaching to mounting surface (hardware not supplied). When drilling fixture, care must be taken to avoid drilling close to ballast or within 1/4" of sides of fixture. All unused entries must be plugged. Use weatherproof silicone sealant to insure proper seal.

REPLACING LAMP

CAUTION - DISCONNECT ELECTRICAL CIRCUIT BEFORE REPLACING LAMP.

1. Loosen the refractor screws to release the refractor.
2. Replace the correct lamp.
3. Close refractor and re - install screws.



Hubbell Lighting, Inc.
A subsidiary of Hubbell Incorporated