

INSTRUCTION SHEET

309-7P/309-8P

READ ALL INSTRUCTIONS CONTAINED HEREIN BEFORE PROCEEDING WITH INSTALLATION OF FIXTURE.

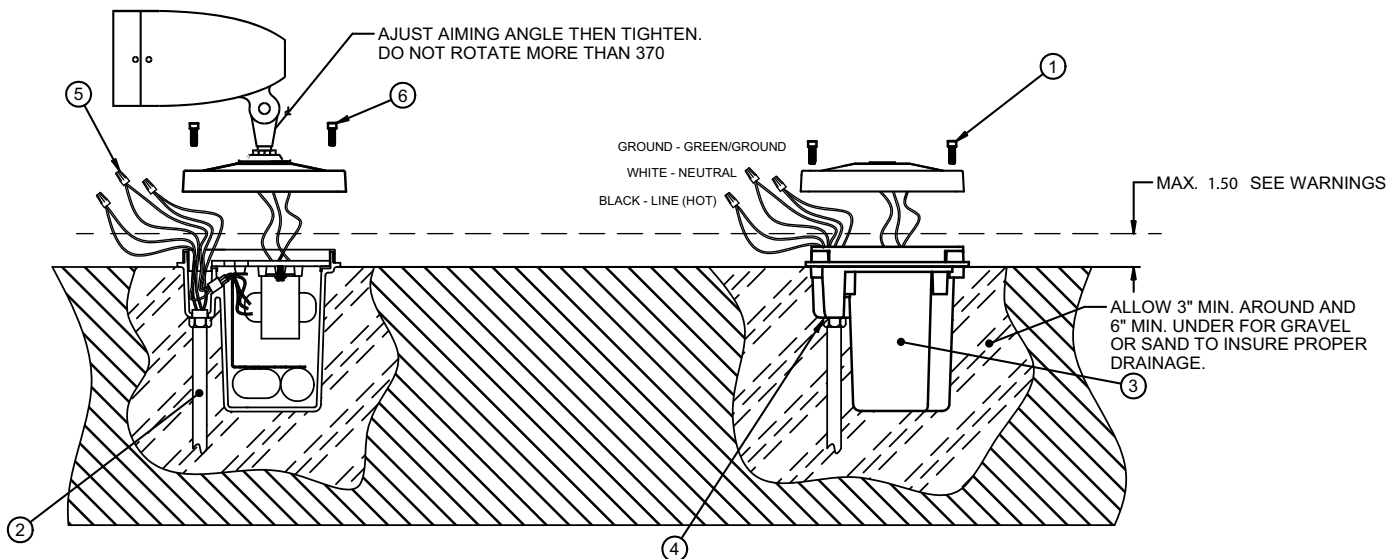
WARNINGS:

- HUBBELL LIGHTING WILL NOT WARRANTY ANY FIXTURES FOR ANY REASON IF THE INSTALLER OF THE FIXTURE DOES NOT READ AND COMPLY WITH ALL OF THE INSTRUCTIONS CONTAINED HEREIN.
- DISCONNECT POWER BEFORE INSTALLATION OR SERVICING.
- INSTALL, OPERATE AND MAINTAIN TO MEET ALL APPLICABLE CODES.
- PROTECT ALL WIRING CONNECTIONS WITH APPROVED INSULATORS (BY OTHERS).
- HUBBELL LIGHTING WILL NOT WARRANT A LEAKING FIXTURE FOUND TO BE CAUSED BY DIRT OR DEBRIS BETWEEN BALLAST HOUSING AND BALLAST HOUSING COVER. HUBBELL WILL NOT WARRANT A LEAKING FIXTURE IF WATER LEVEL RISES TO MORE THAN 1.50 INCHES ABOVE BALLAST BOX COVER.
- BALLAST BOX MUST BE INSTALLED HIGH ENOUGH TO ENCOURAGE WATER DRAINAGE AWAY FROM FIXTURE.
- DO NOT AIM ONTO A COMBUSTIBLE SURFACE.
- FIXTURE CONTAINS SILICONE AND EPDM GASKETS. CLEANING THE GLASS & FIXTURE SURFACE WITH STRONG CHEMICALS MAY DAMAGE THE GASKETS AND OR PAINT.
- ALL CONNECTIONS SHOULD BE CAPPED WITH SUITABLE INSULATED WIRE CONNECTORS (BY OTHERS).
- LAMP AND BALLAST MUST BE EQUAL ANSI CODE AND WATTAGE.

GENERAL INFORMATION:

- USE WATERPROOF PIPE JOINT COMPOUND (BY OTHERS) FOR ALL ENTRIES INTO BALLAST BOX.
- PLUG ALL UNUSED ENTRIES INTO BALLAST BOX.
- ALLOW 6 INCHES MIN. SUPPLY WIRE ENTERING BALLAST BOX.
- USE ONLY RIGID CONDUIT AND WET LOCATION CONDUIT FITTINGS FOR ALL ENTRIES INTO BALLAST BOX.
- CONDUIT ENTRIES ARE TAPPED, TWO AT 3/4" NPT AND ONE AT 1/2" NPT.

DIRECT MOUNT (DB)



1. REMOVE SCREWS AND BALLAST BOX COVER. DO NOT REMOVE FIXTURE FROM BALLAST BOX COVER.
2. BRING RIGID CONDUIT AND SUPPLY WIRES TO BALLAST BOX LOCATION.
3. POSITION AND LEVEL BALLAST BOX. ALLOW 3" MIN. AROUND AND 6" MIN. UNDER FOR GRAVEL OR SAND TO INSURE PROPER DRAINAGE.
4. MAKE CONDUIT CONNECTION TO BALLAST BOX USING WET LOCATION FITTINGS.
5. MAKE WIRING CONNECTIONS AND PLACE WIRES INSIDE BALLAST BOX.
6. REINSTALL THE BALLAST BOX COVER TO BALLAST BOX.
7. REMOVE LENS ASSEMBLY BY REMOVING SCREWS. TAKE CARE WHEN OPENING TO NOT DROP LENS.
8. INSTALL LAMP.
9. REINSTALL LENS ASSEMBLY.



Hubbell Lighting, Inc.
A subsidiary of Hubbell Incorporated
701 Millennium Blvd • Greenville, SC 29607

Phone: (864) 678-1000
WWW.HUBBELLOUTDOOR.COM